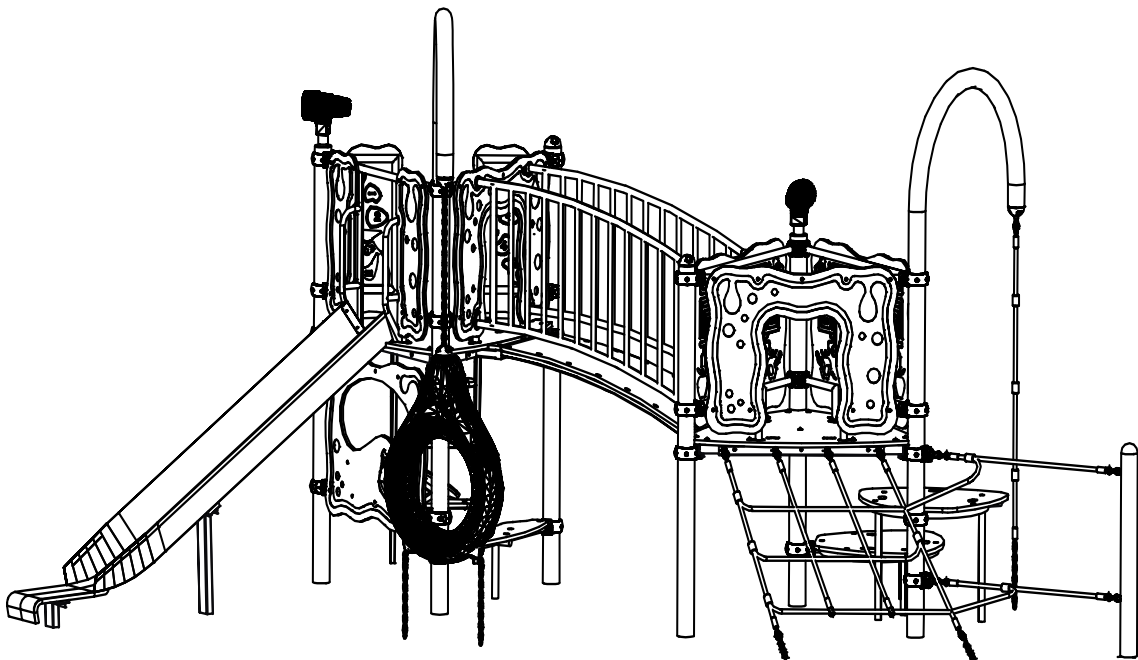
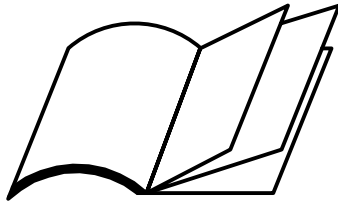


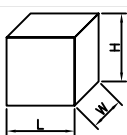
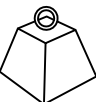

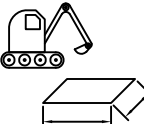
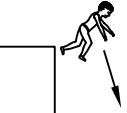

HAGS

ZINGO NAU

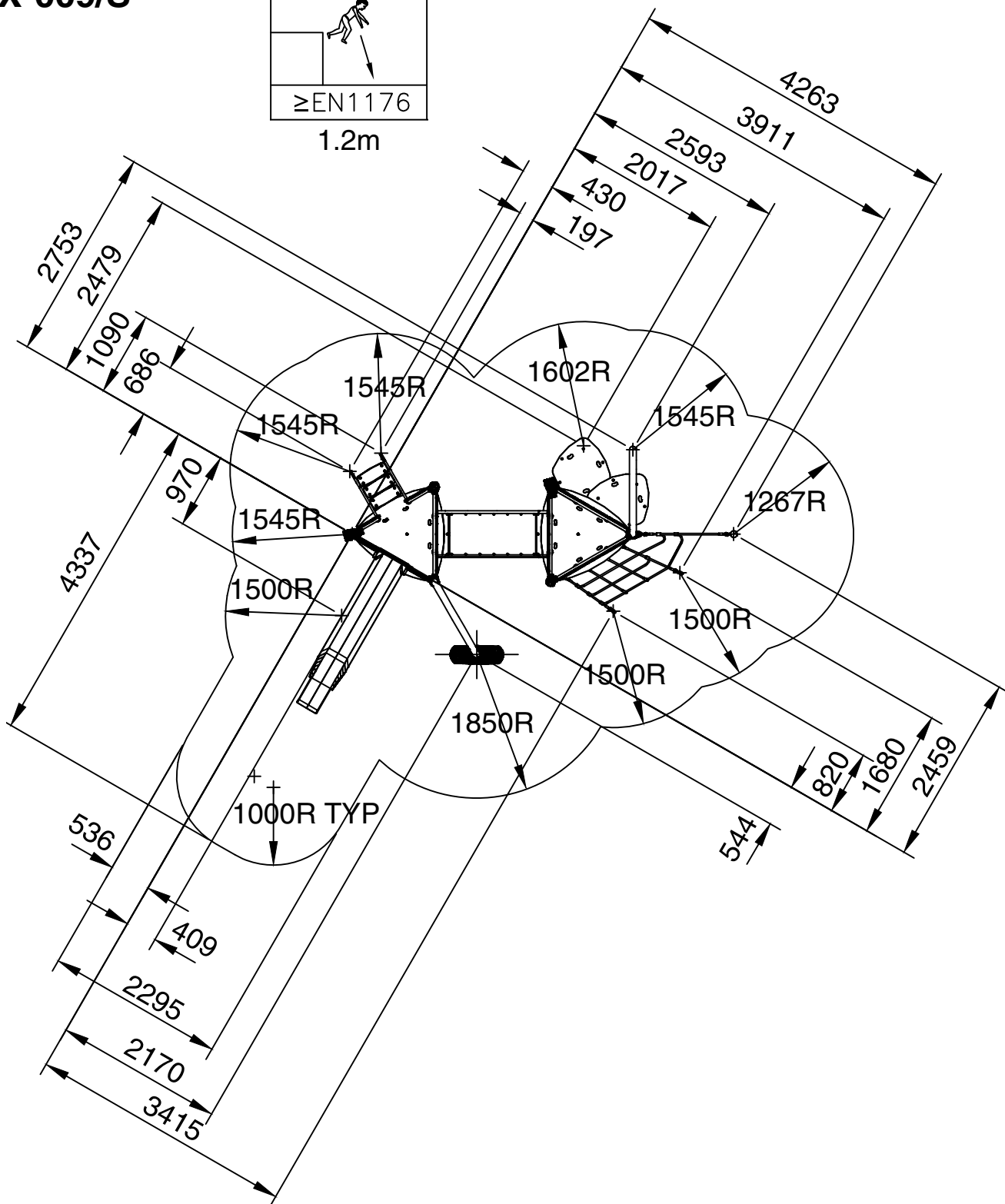
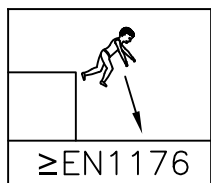
X-009/S, X-009/SD, X-009/P & X-009/PD



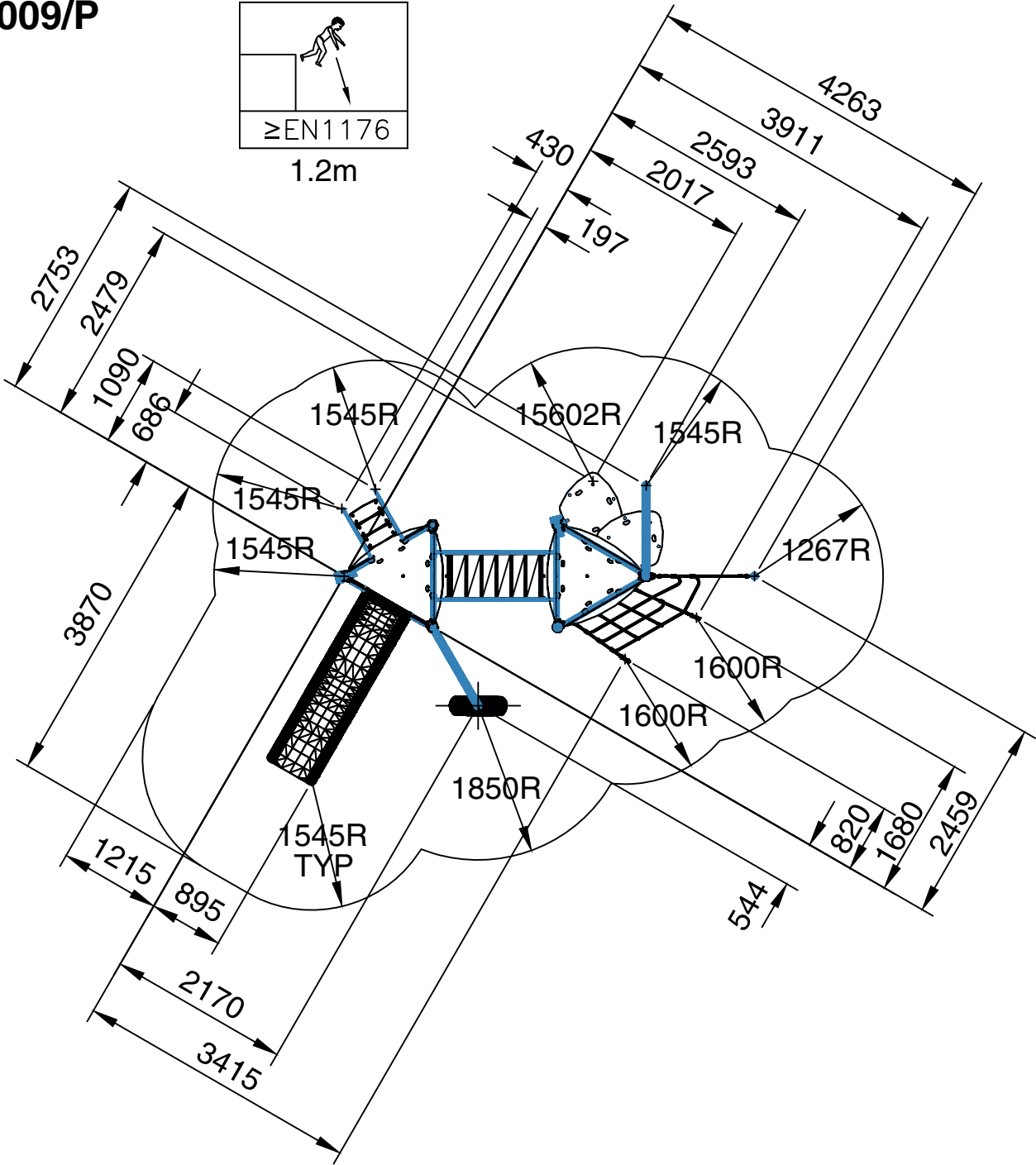
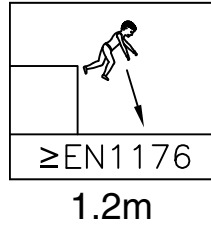


	 LxWxH (m)	 kg	 m ³	 m	 ≥EN1176	 x 3= T
X-009/S	5.68 x 3.56 x 2.84	625	1.93	10.5 X 9.0	1.2m	T = 38h
X-009/P	5.89 x 3.75 x 2.84	674	1.92			

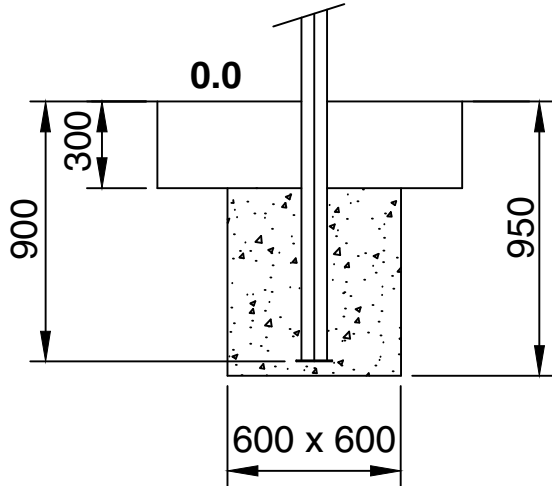
X-009/S



X-009/P

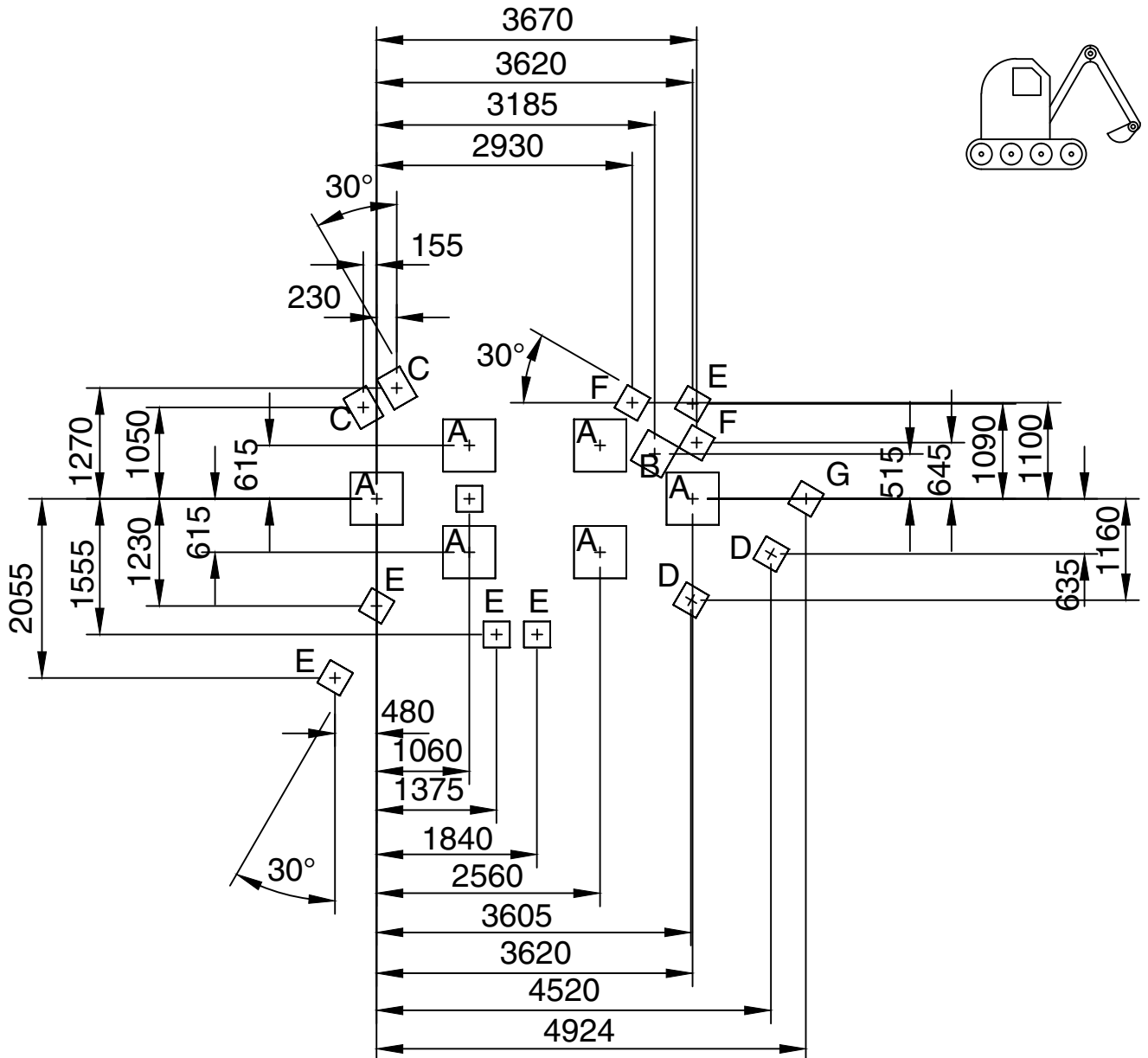


X-009/S

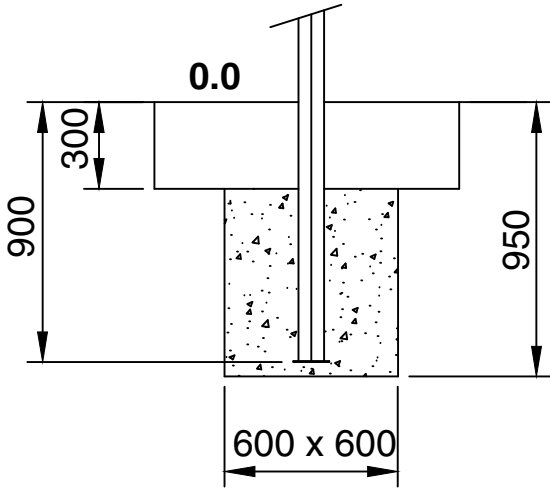


REF		L x W x D (m)
'A'	m	0.60 x 0.60 x 0.95
'B'	m	0.40 x 0.40 x 0.70
'C'	m	0.30 x 0.40 x 0.70
'D'	m	0.30 x 0.30 x 0.63
'E'	m	0.30 x 0.30 x 0.65
'F'	m	0.30 x 0.30 x 0.70
'G'	m	0.30 x 0.30 x 0.80

TYPE 1/2  101/144

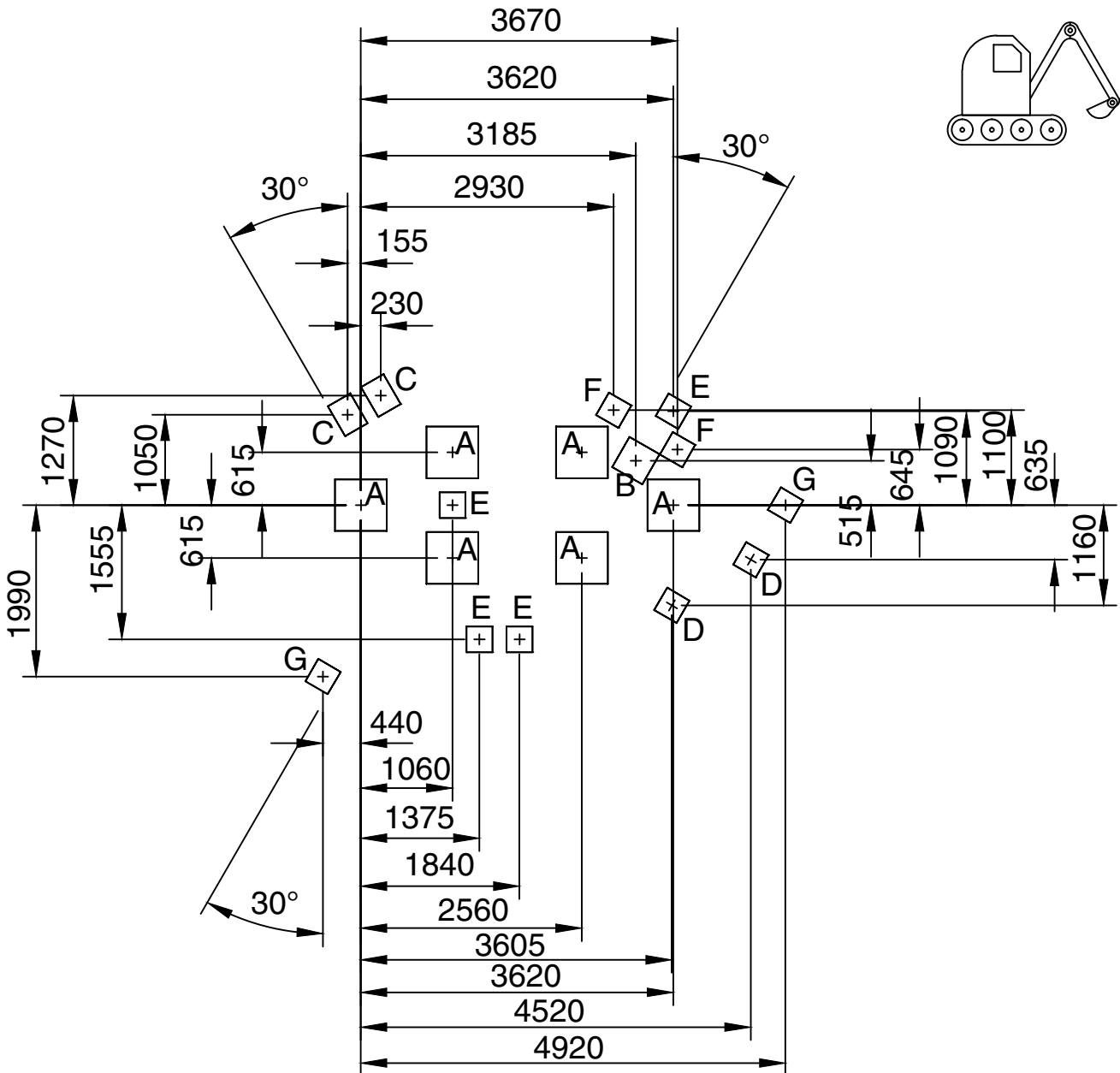
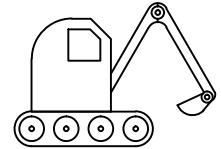


X-009/P

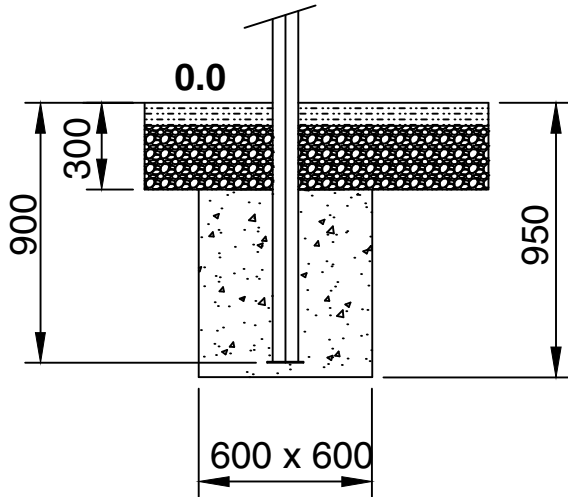


REF		L x W x D (m)
'A'	m	0.60 x 0.60 x 0.95
'B'	m	0.40 x 0.40 x 0.70
'C'	m	0.30 x 0.40 x 0.70
'D'	m	0.30 x 0.30 x 0.63
'E'	m	0.30 x 0.30 x 0.65
'F'	m	0.30 x 0.30 x 0.70
'G'	m	0.30 x 0.30 x 0.80

TYPE 1/2  **101/144**

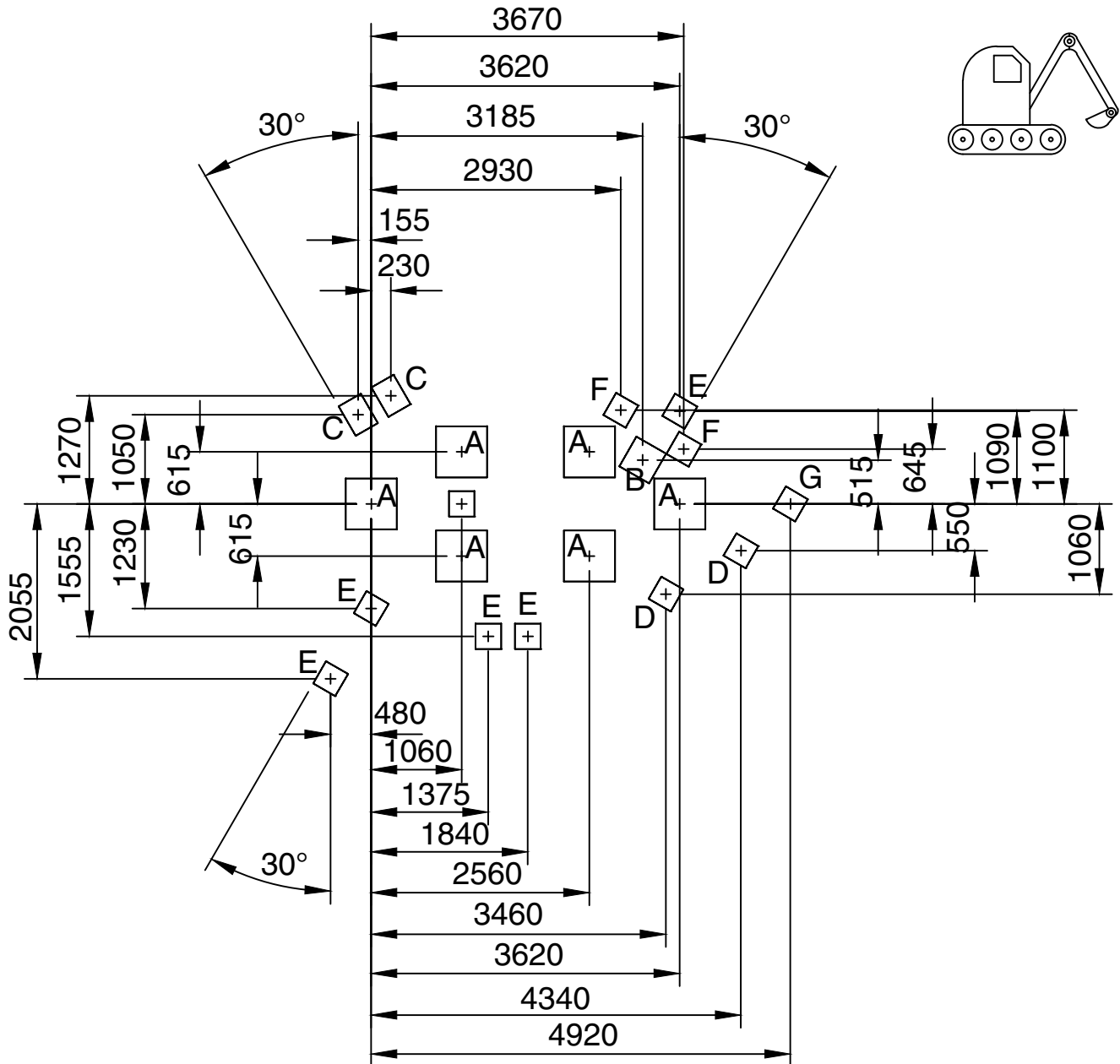


X-009/S

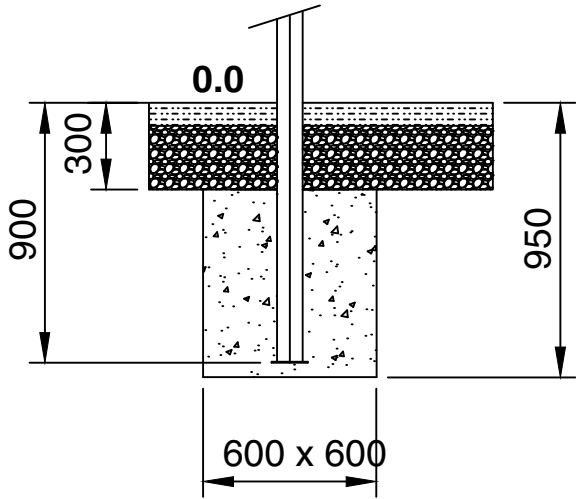


REF		L x W x D (m)
'A'	m	0.60 x 0.60 x 0.95
'B'	m	0.40 x 0.40 x 0.70
'C'	m	0.30 x 0.40 x 0.70
'D'	m	0.30 x 0.30 x 0.43
'E'	m	0.30 x 0.30 x 0.65
'F'	m	0.30 x 0.30 x 0.70
'G'	m	0.30 x 0.30 x 0.80

TYPE 3  **101/144**

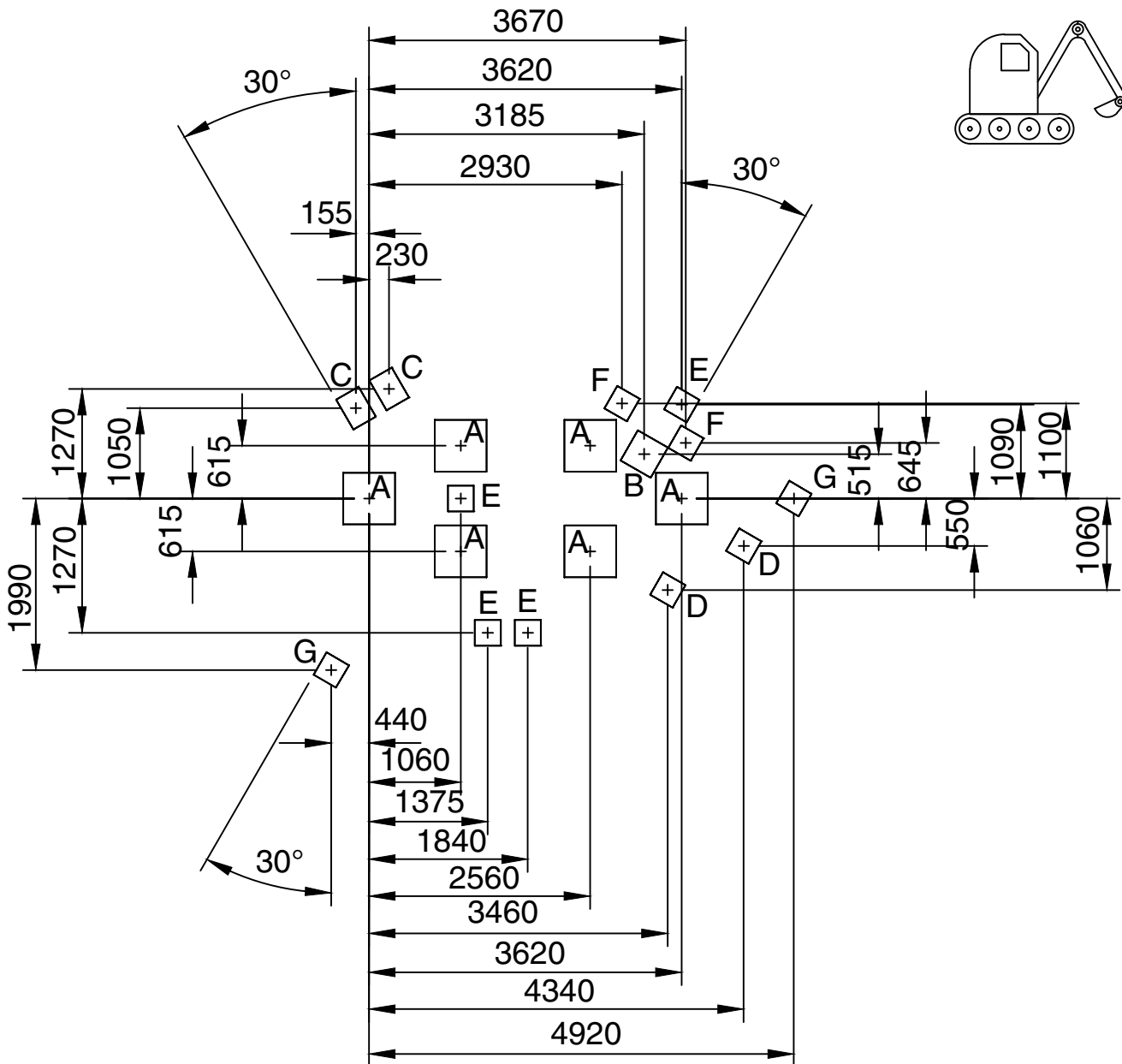


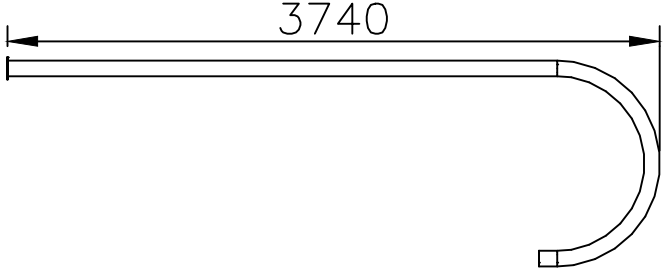
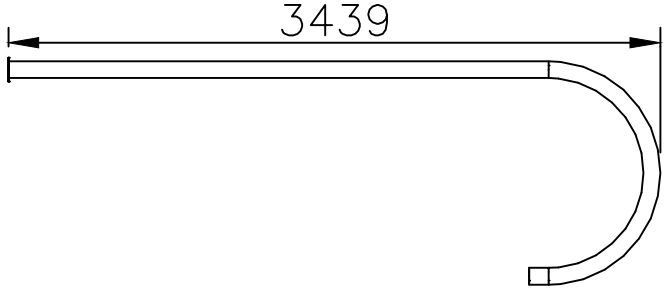
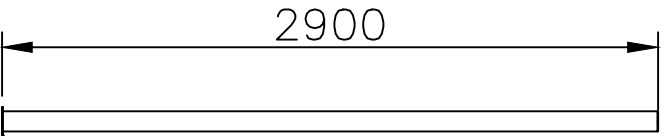
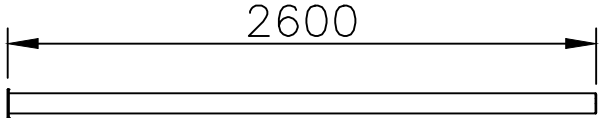
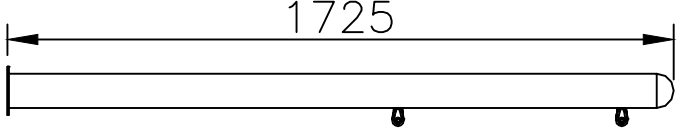
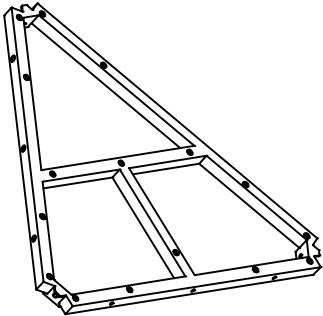
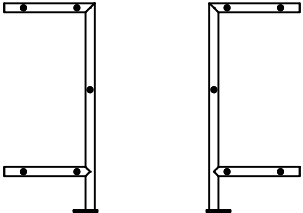
X-009/P

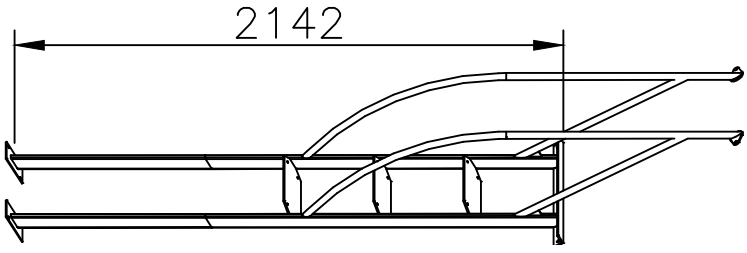
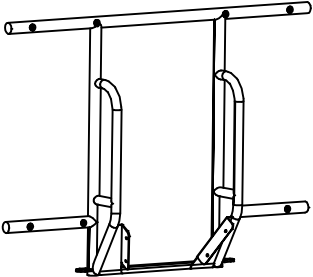
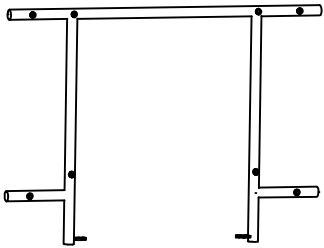
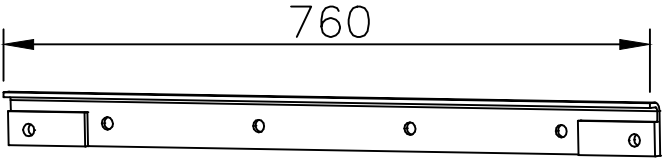
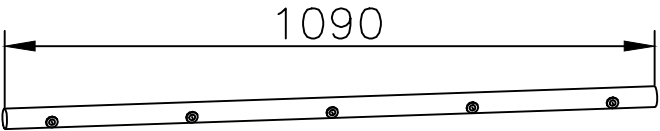
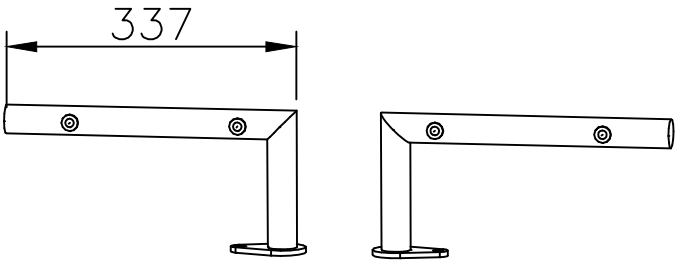
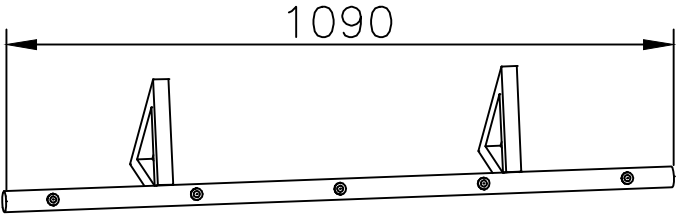


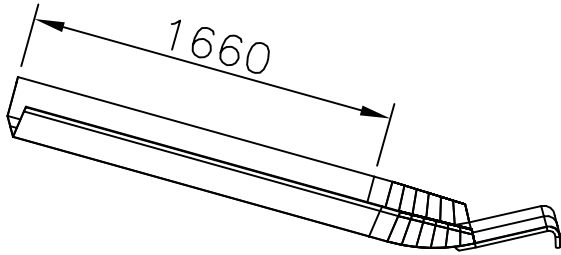
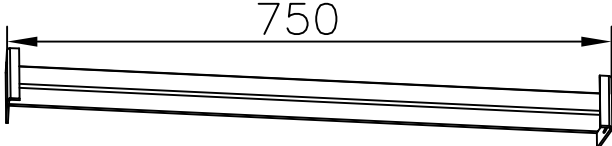
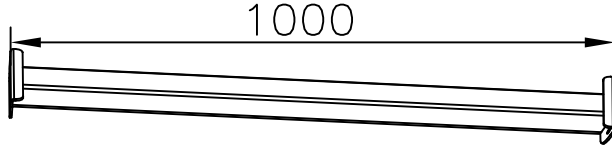
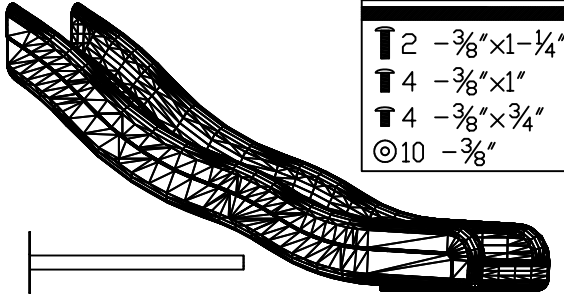

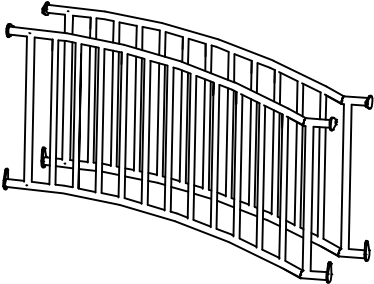
REF		L x W x D (m)
'A'	m	060 x 0.60 x 0.95
'B'	m	0.40 x 0.40 x 0.70
'C'	m	0.30 x 0.30 x 0.70
'D'	m	0.30 x 0.30 x 0.43
'E'	m	0.30 x 0.30 x 0.65
'F'	m	0.30 x 0.30 x 0.70
'G'	m	0.30 x 0.30 x 0.80

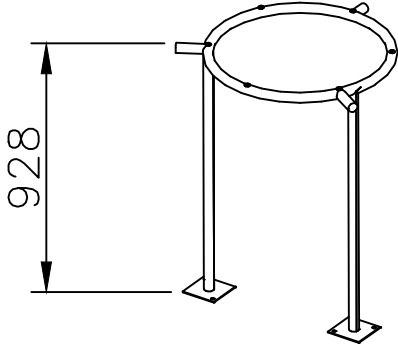
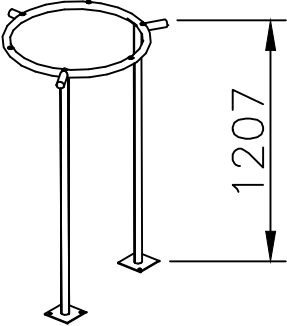
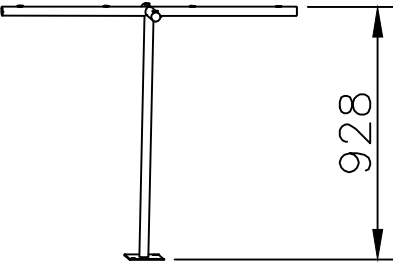
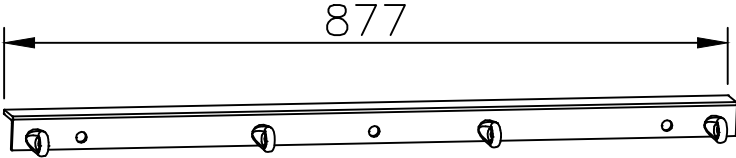
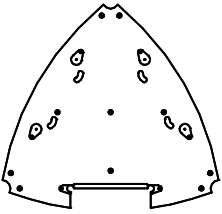
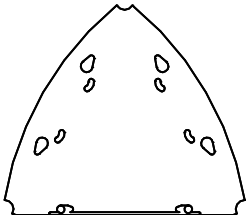
TYPE 3 101/144

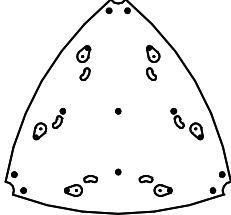
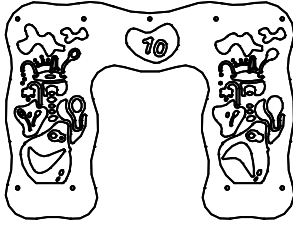
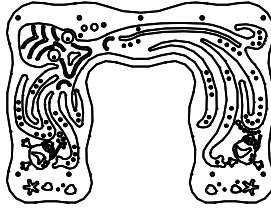
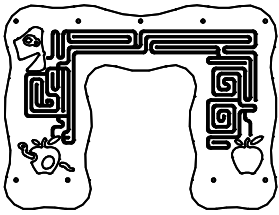
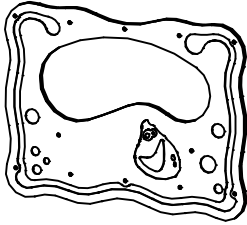
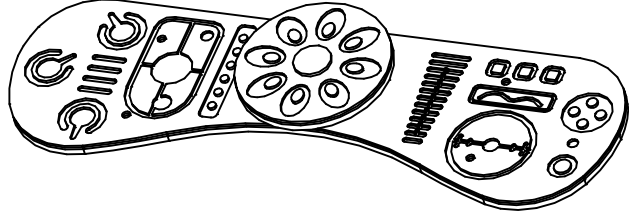
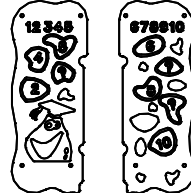


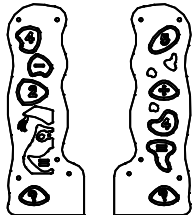
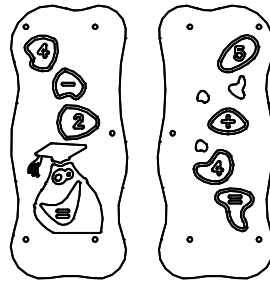
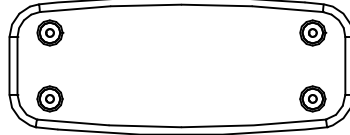
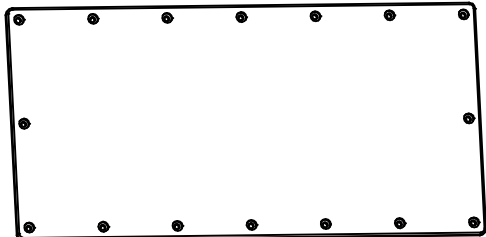
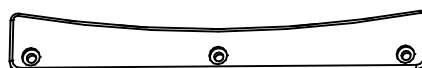
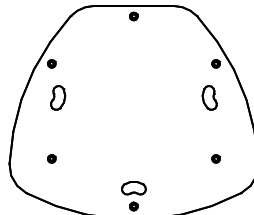
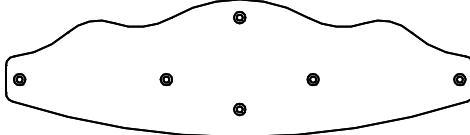
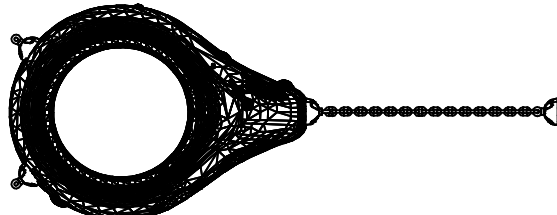
ITEM	REF		X-009/S	X-009/P	kg
1	55003740		1		50.00
2	55003440		1		46.00
3	55012900		2		30.00
4	55012600		2		27.00
5	55011725		1		15.00
6	55041225		2		15.00
7	55043002		1 PAIR		7.00

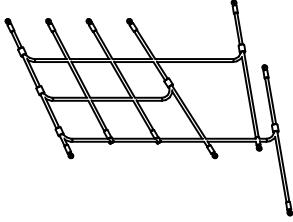
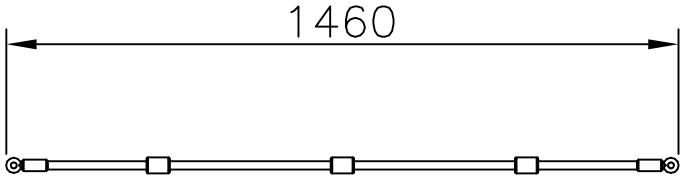
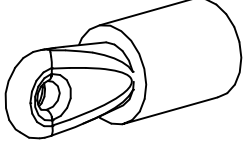
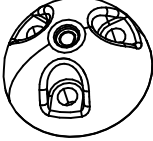


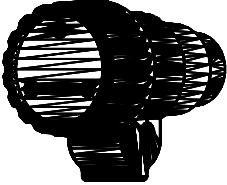
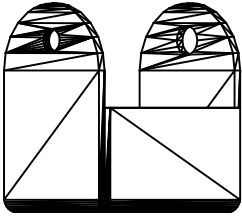
ITEM	REF		X-009/S	X-009/P	kg
8	55043001			1	31.00
9	55021200		1		10.00
10	55021300			1	7.50
11	55021301			1	3.00
12	55021082		5		2.50
13	55020332			4 PAIR	2.00
14	55021087			1	5.00

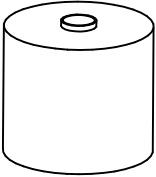
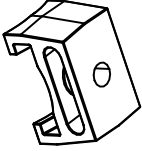
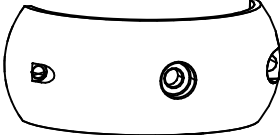
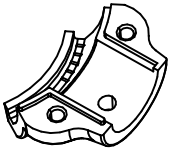

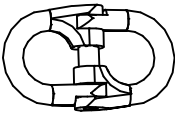

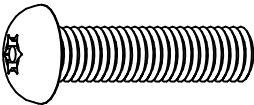
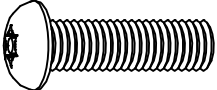
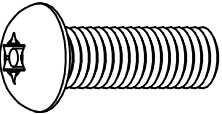
ITEM	REF		X-009/S	X-009/P	kg
15	45031200		1		30.00
16	70032701		1		4.50
17	45039001		1		5.80
18	55081200			1	91.00
19	55042001		1		14.00
20	55042002		1 PAIR		15.00

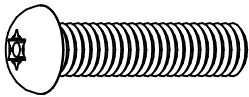
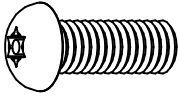
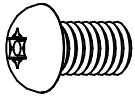
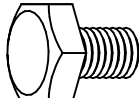
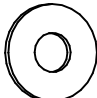
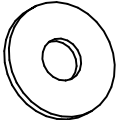
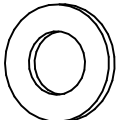
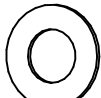
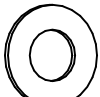

ITEM	REF		X-009/S	X-009/P	kg
21	55040911		1		10.00
22	55041190		1		12.00
23	55020911		1		6.00
24	55020880		1		3.50
25	55090040		1		16.00
26	55090050			1	16.00

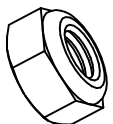
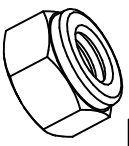
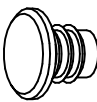
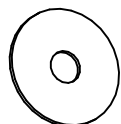

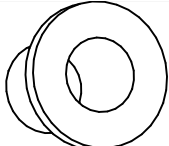
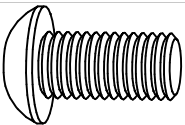
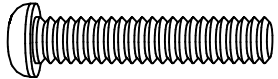
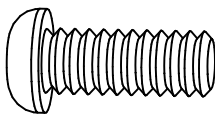
ITEM	REF		X-009/S	X-009/P	kg
27	55090010		1		16.00
28	55090205		1		9.00
29	55090201		1		9.00
30	55090209		2		9.00
31	55090401		1		10.00
32	55090402		1		6.00
33	55090501		1 PAIR		8.00

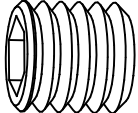
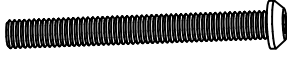
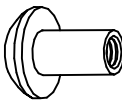
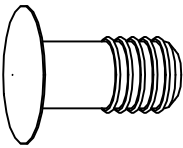
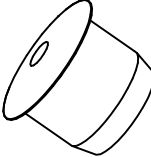
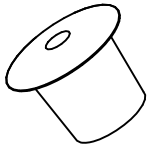
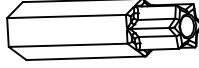



ITEM	REF		X-009/S	X-009/P	kg
34	55090503			1 PAIR	6.00
35	55093002			1 PAIR	8.00
36	55093001			3	2.50
37	55092001			1	12.00
38	55092002			2	0.70
39	55090020			2	8.00
40	55090030			1	4.00
41	55062010			1	12.00

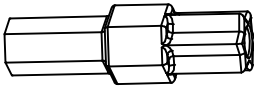
ITEM	REF		X-009/S	X-009/P	kg
42	55050010		1		7.00
43	38080060		1		1.00
44	55059999		2		0.50
45	55030199		2		0.50
46	55030201		1		0.50
47	38008027		5		1.50
48	55080010		2		0.50
49	55080011		2		0.50

ITEM	REF		X-009/S	X-009/P	kg
50	55080012		2		0.25
51	55030899		6		0.15
52	55030799		54		0.20
53	55030399		34		0.10
54	55030499		34		0.10
55	15715000		14		0.10
56	10121065	 M10 X 65	2		0.050
57	10121040	 M10 X 40	112		0.037
58	10121035	 M10 X 35	18		0.032
59	10121030	 M10 X 30	25	27	0.028

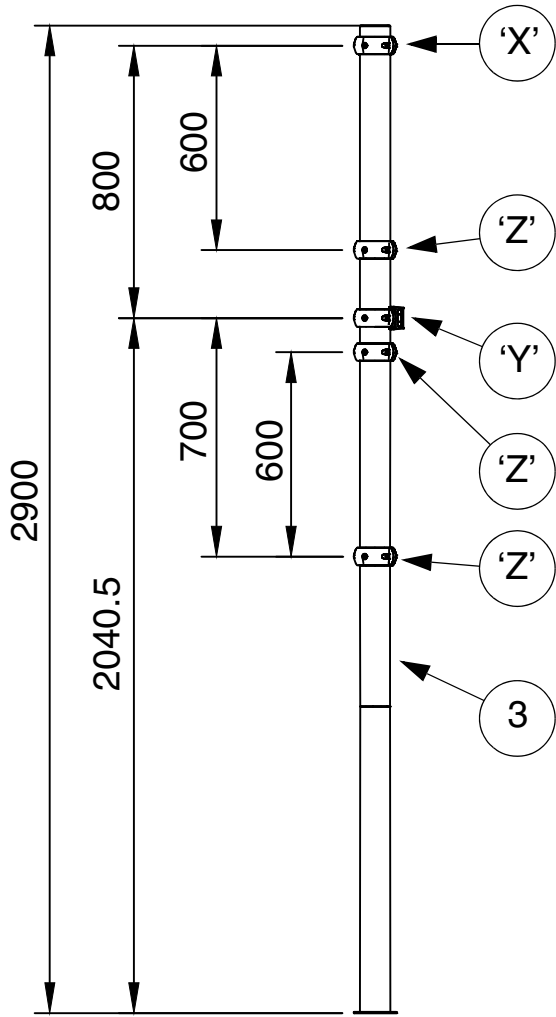
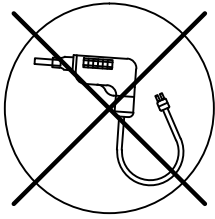
ITEM	REF		X-009/S	X-009/P	kg
60	10120625	 M6 X 25	17		0.011
61	10120616	 M6 X 16	12		0.007
62	10120610	 M6 X 10	4		0.005
63	10251016	 M10 X 16	4		0.020
64	10303212	 T5 13X32X2.6	6		0.011
65	10309999	 M10 11X30X2.5	4		0.011
66	10291200	 M12 13X24X2.5	2		0.006
67	10291000	 M10 11X21X1	143	145	0.002
68	10290600	 M6 6.4X12.6X1	12		0.005
69	10301000	 M10 12X18X1	12		0.002

ITEM	REF		X-009/S	X-009/P	kg
70	10261000	 M10	2		0.010
71	10260600	 M6	4		0.002
72	10930600	 M6	12		0.035
73	10304010	 M10 11X40X1.5		2	0.003
74	10510238	 M10	16		0.040
75	14104942		17		0.001
76	14101225	 1/2" UNC X 1"	6		0.032
77	14104749	 1/4"UNC X 1-1/4"	54		0.007
78	14104750	 1/4"UNC X 5/8"	68		0.005

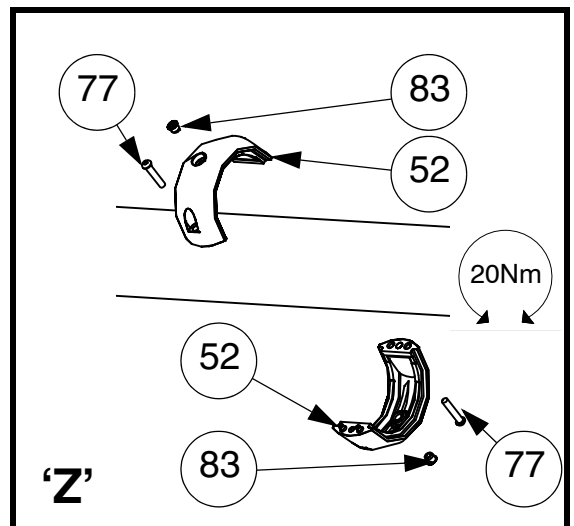
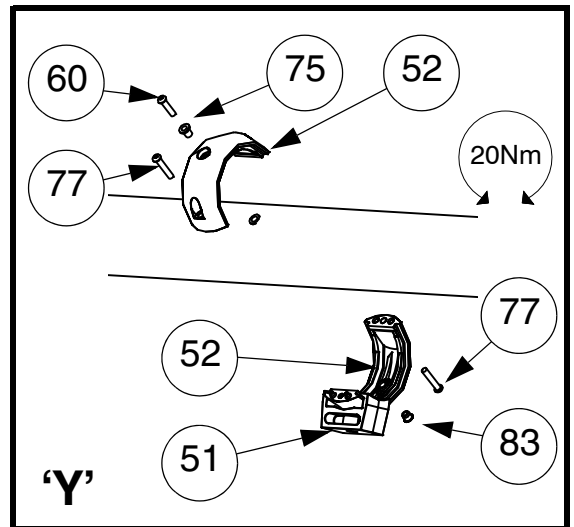
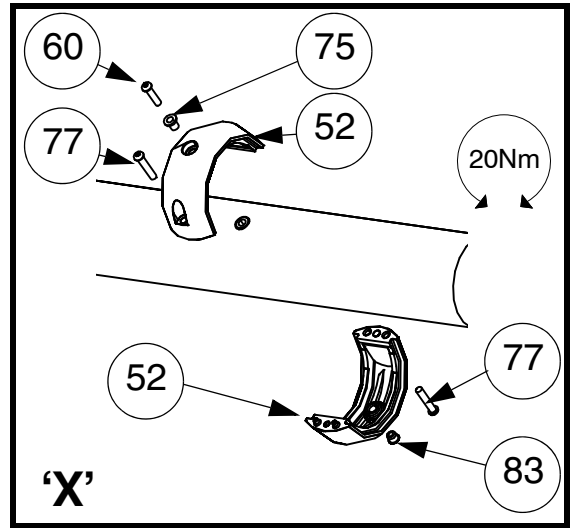
ITEM	REF		X-009/S	X-009/P	kg
79	14104285	 3/8"UNC X3/8"	24		0.003
80	14104963	 5/16"UNC X 3"	2		0.026
81	14110018	 5/16" UNC	2		0.018
82	19024501		15	12	0.001
83	19055030		37		0.001
84	19055040		9		0.001
85	10121000	 T45 M10	1		-
86	10120600	 T30 M6	1		-
87	10120500	 T27 1/4"UNC	2		-
88	10120900	 TX40 5/16"UNC	1		-

ITEM	REF		X-009/S	X-009/P	kg
89	10121100	 T55 5/16"UNC	1		-

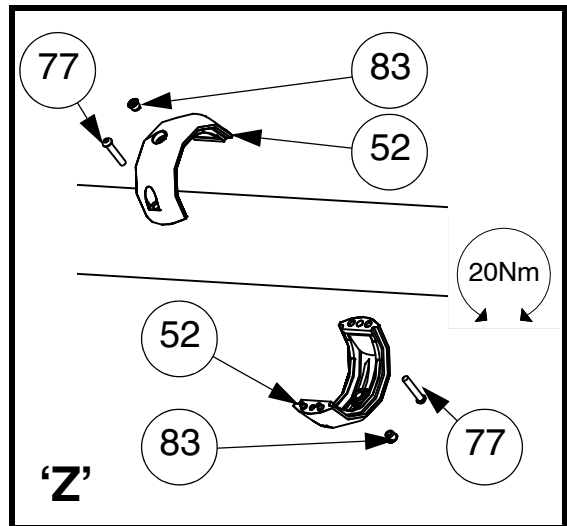
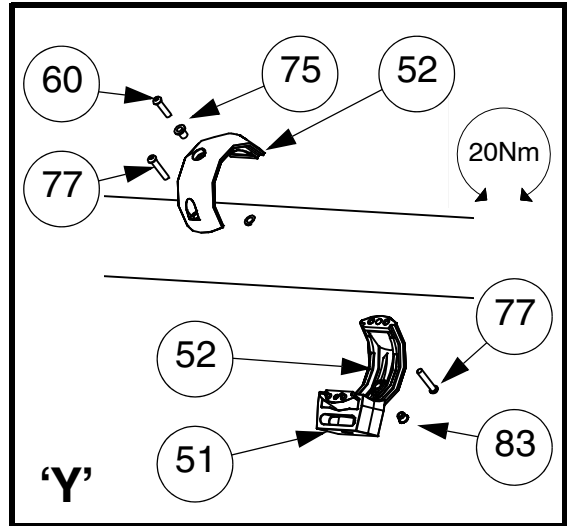
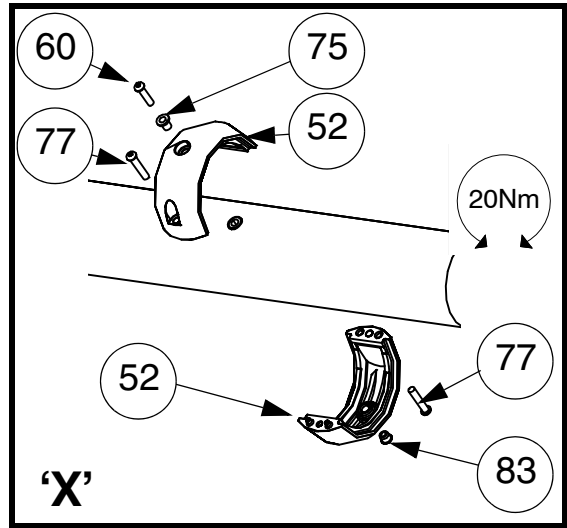
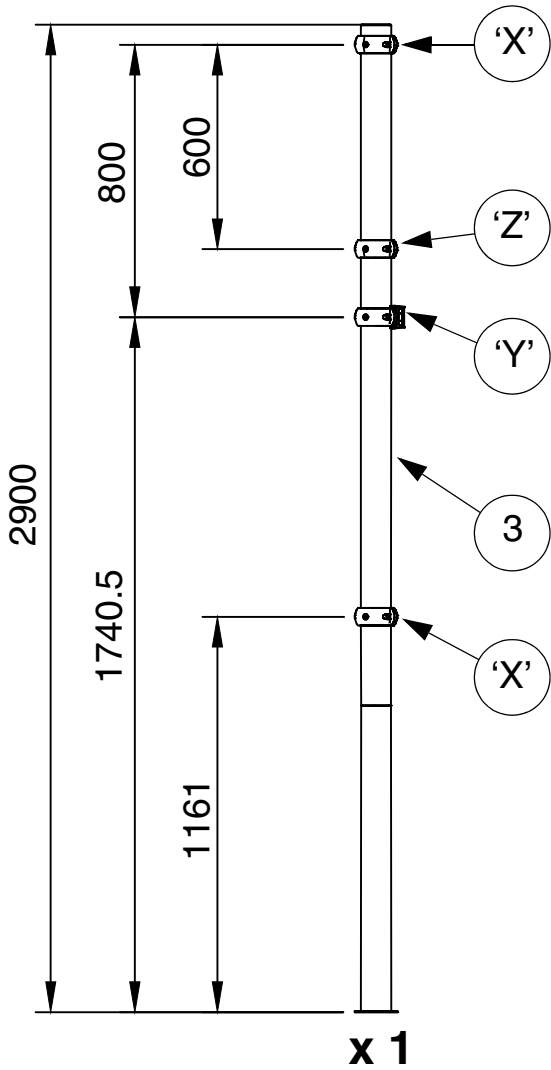
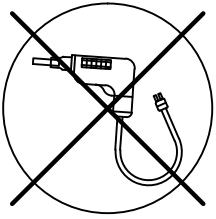
STEP 1



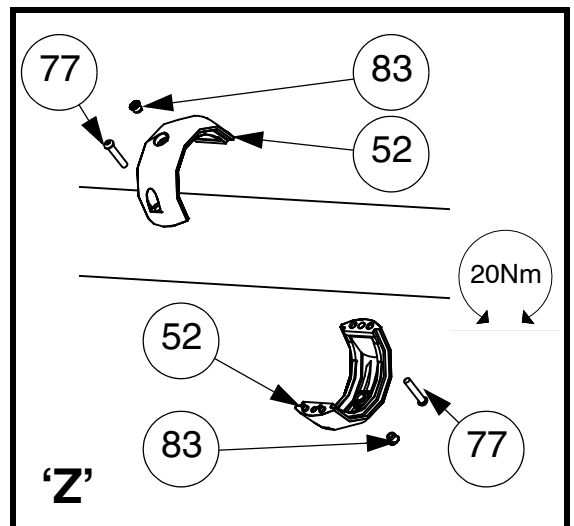
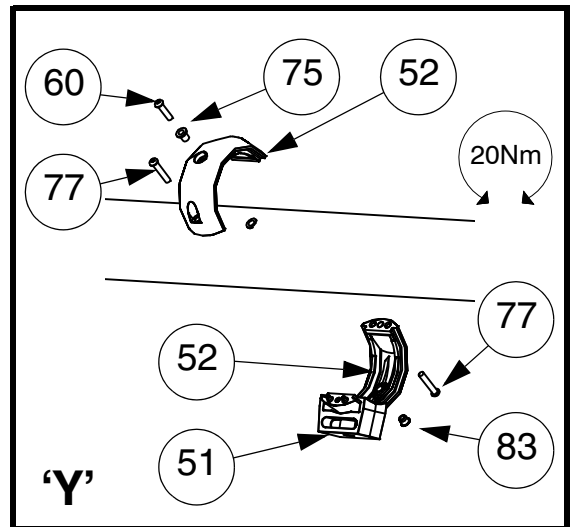
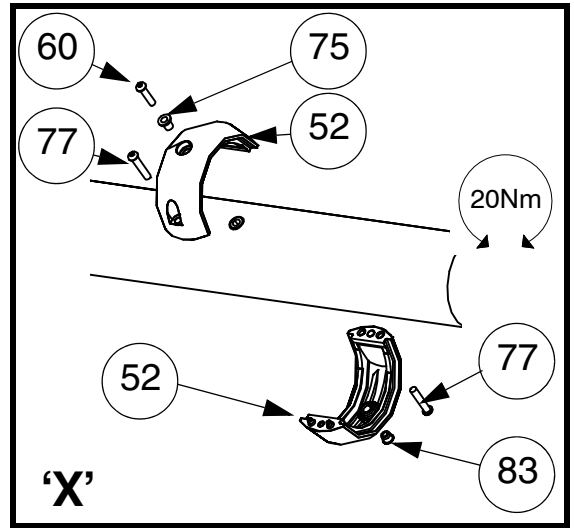
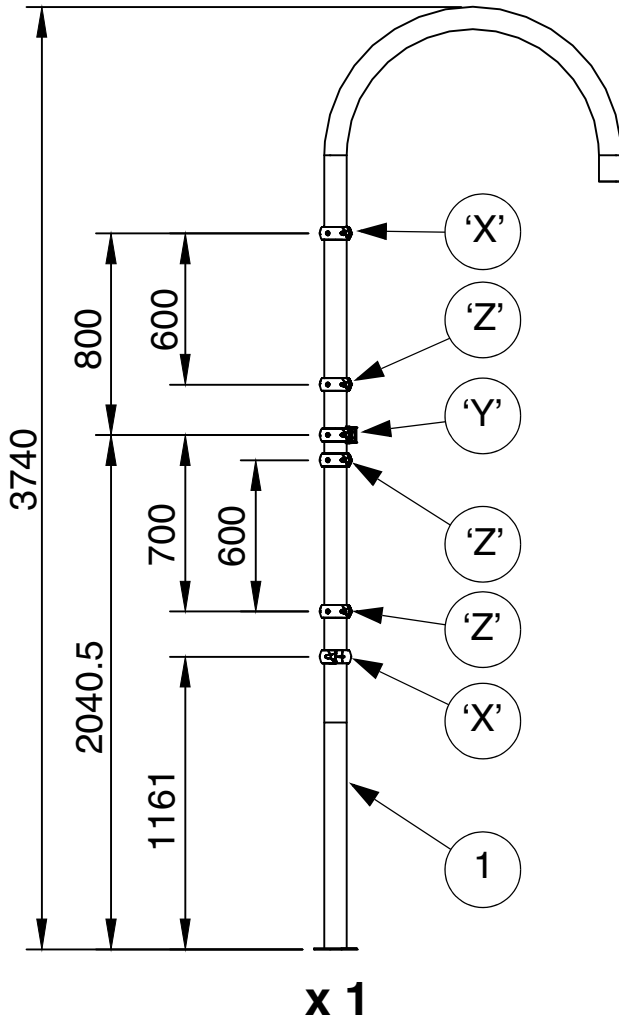
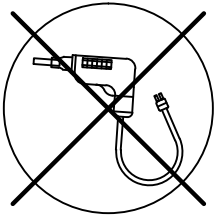
x 1



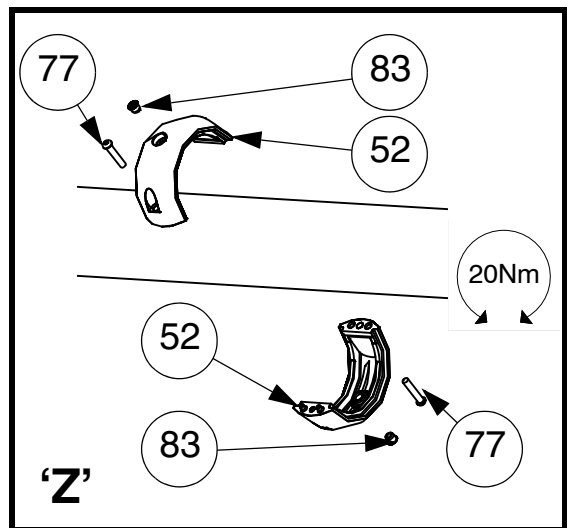
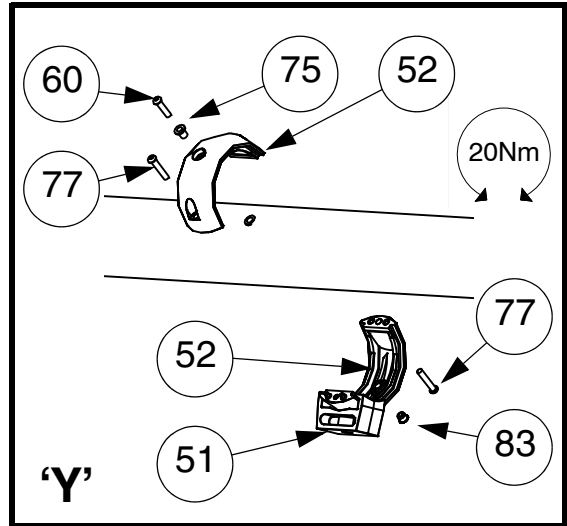
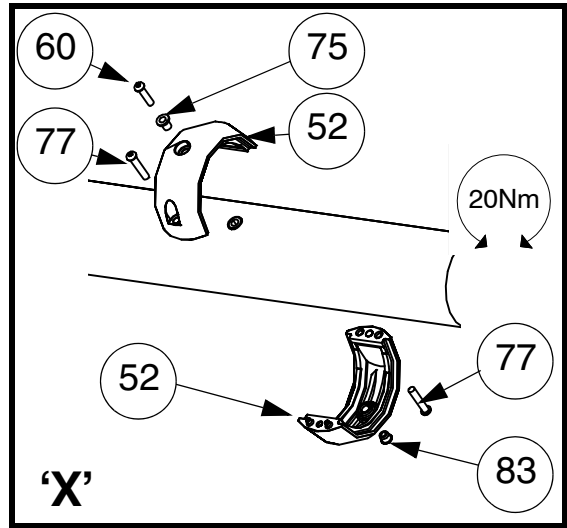
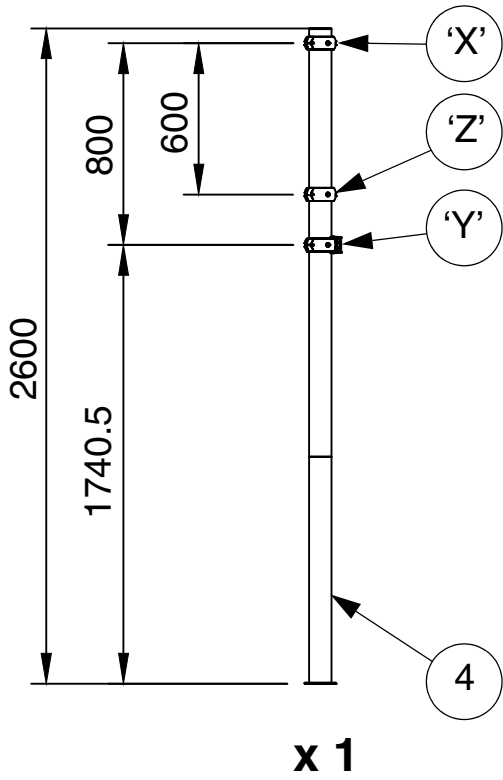
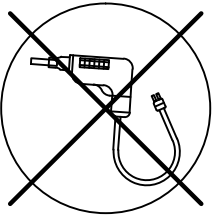
STEP 2



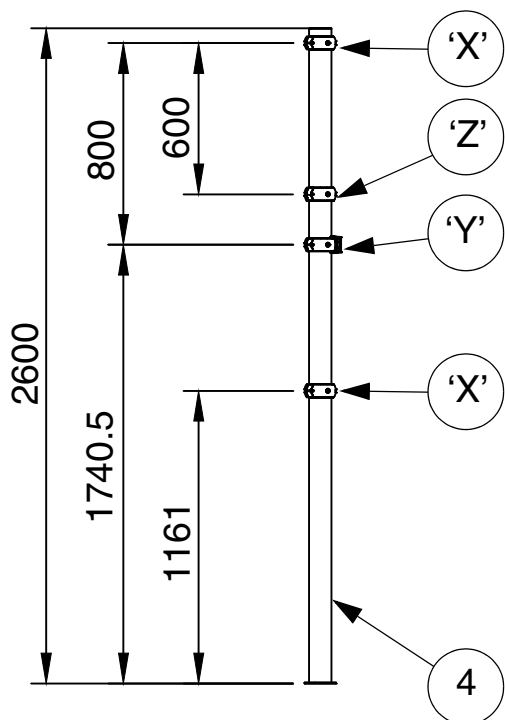
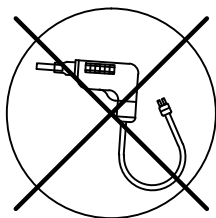
STEP 3



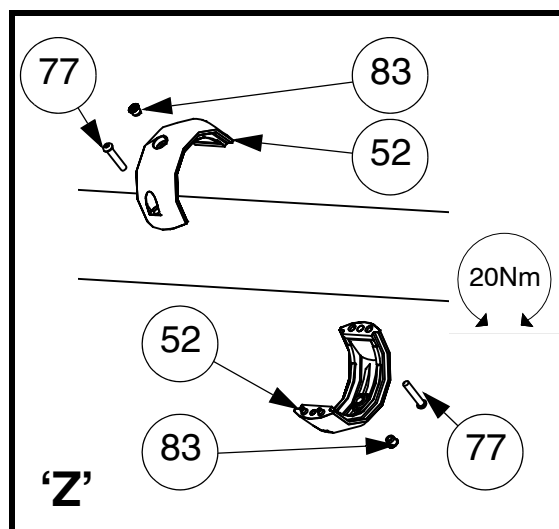
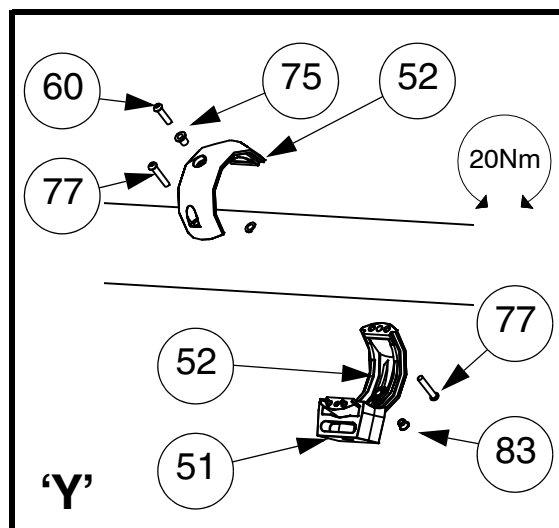
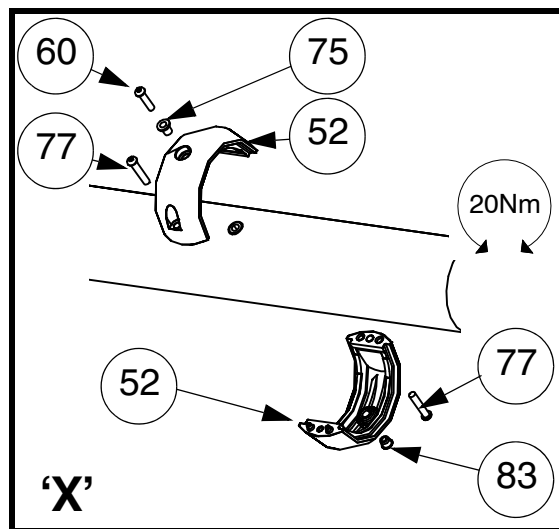
STEP 4



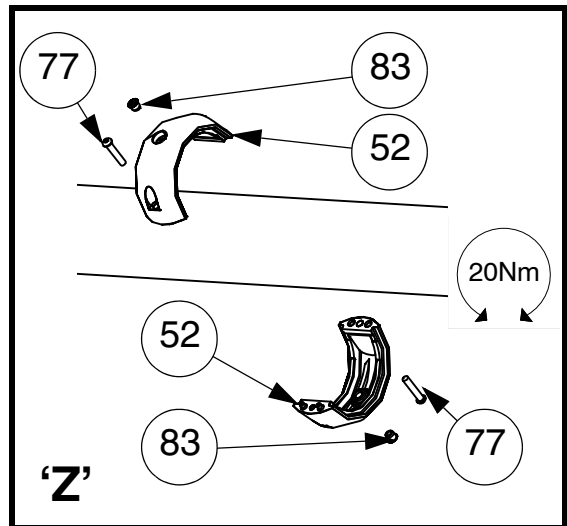
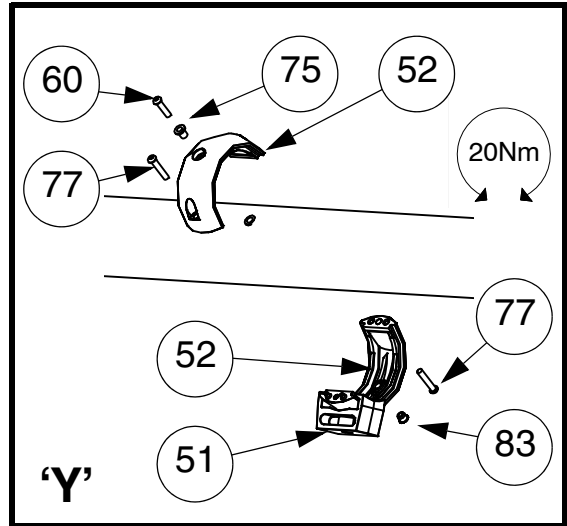
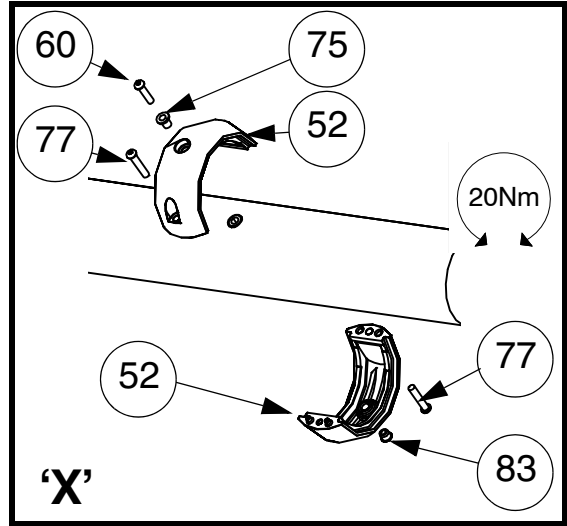
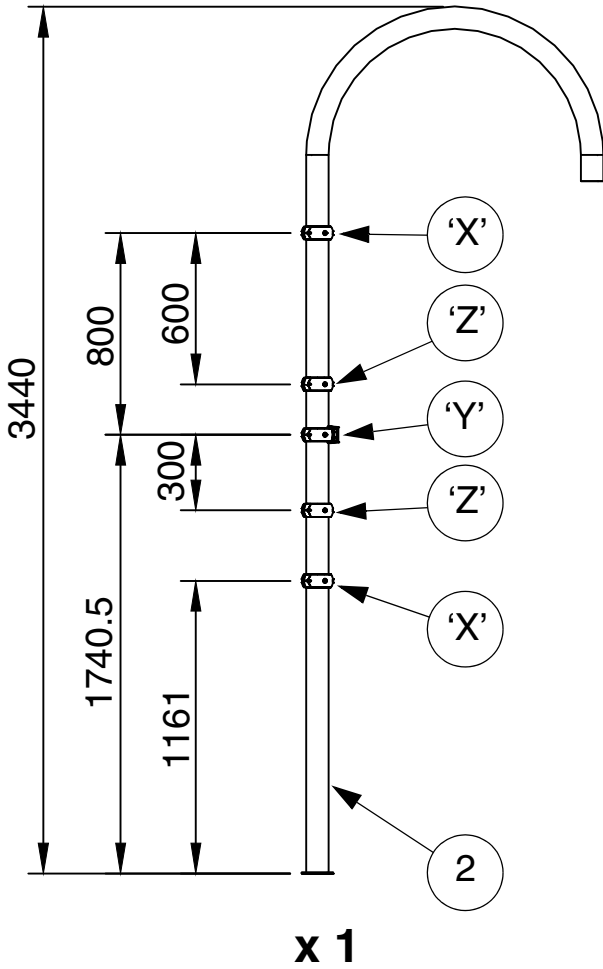
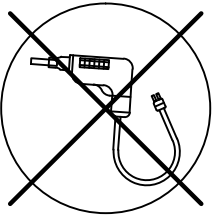
STEP 5



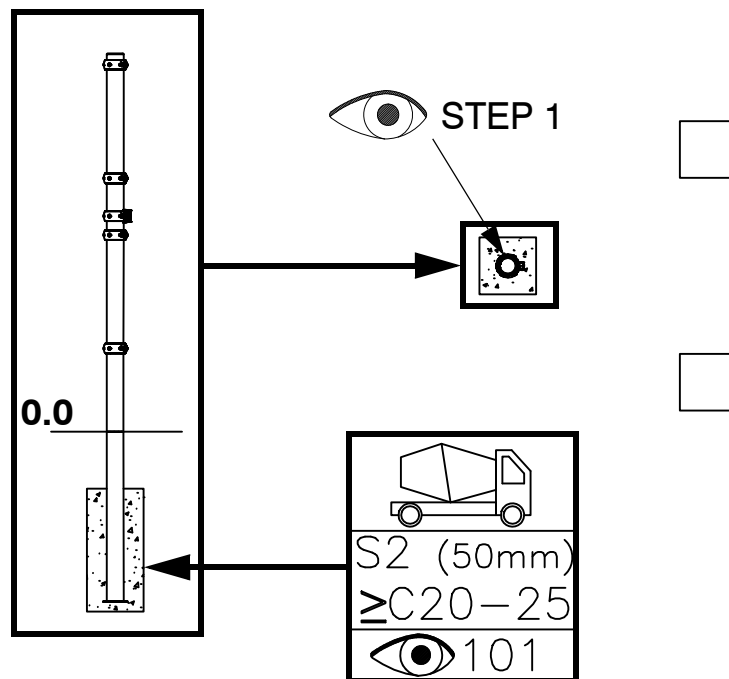
x 1



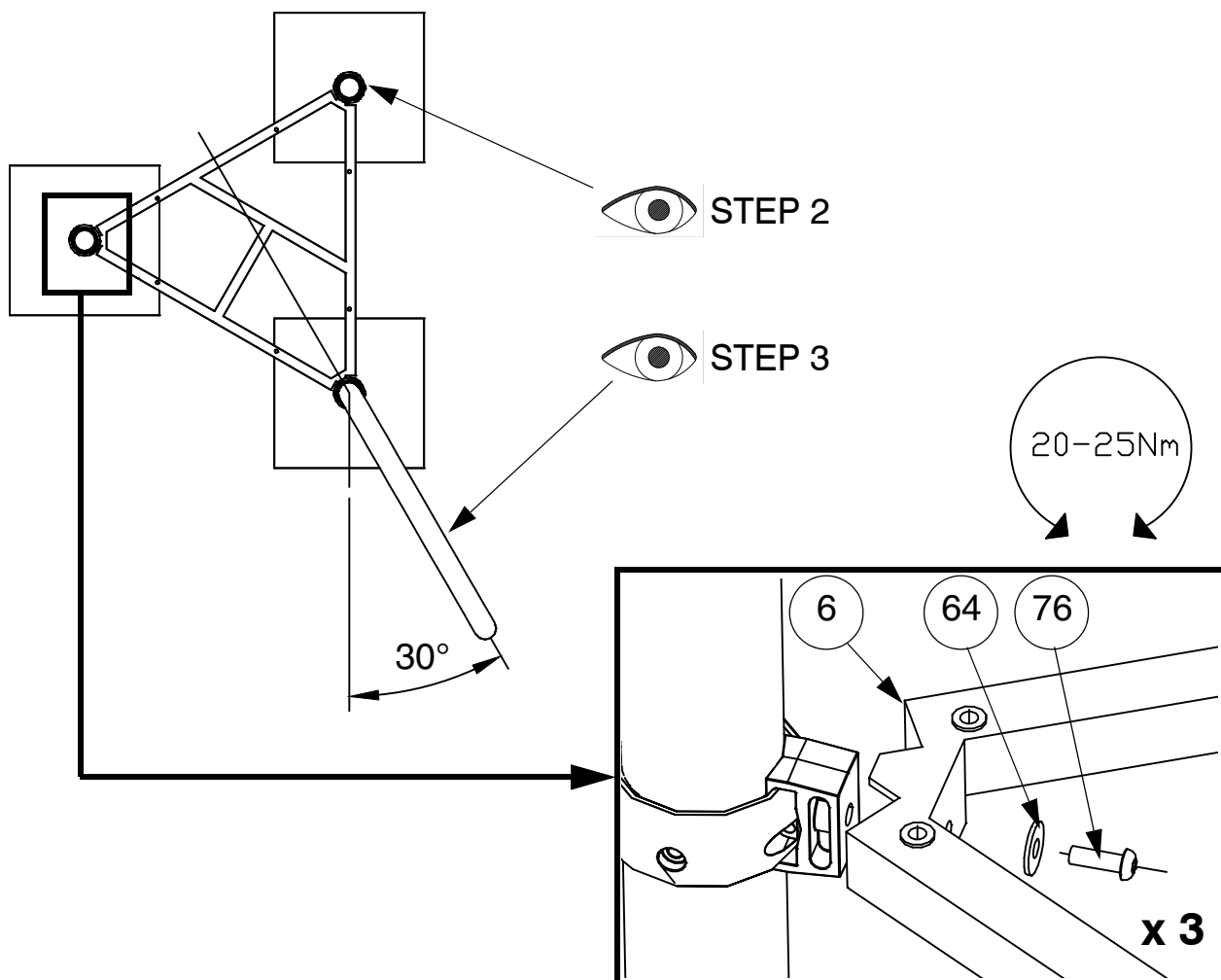
STEP 6



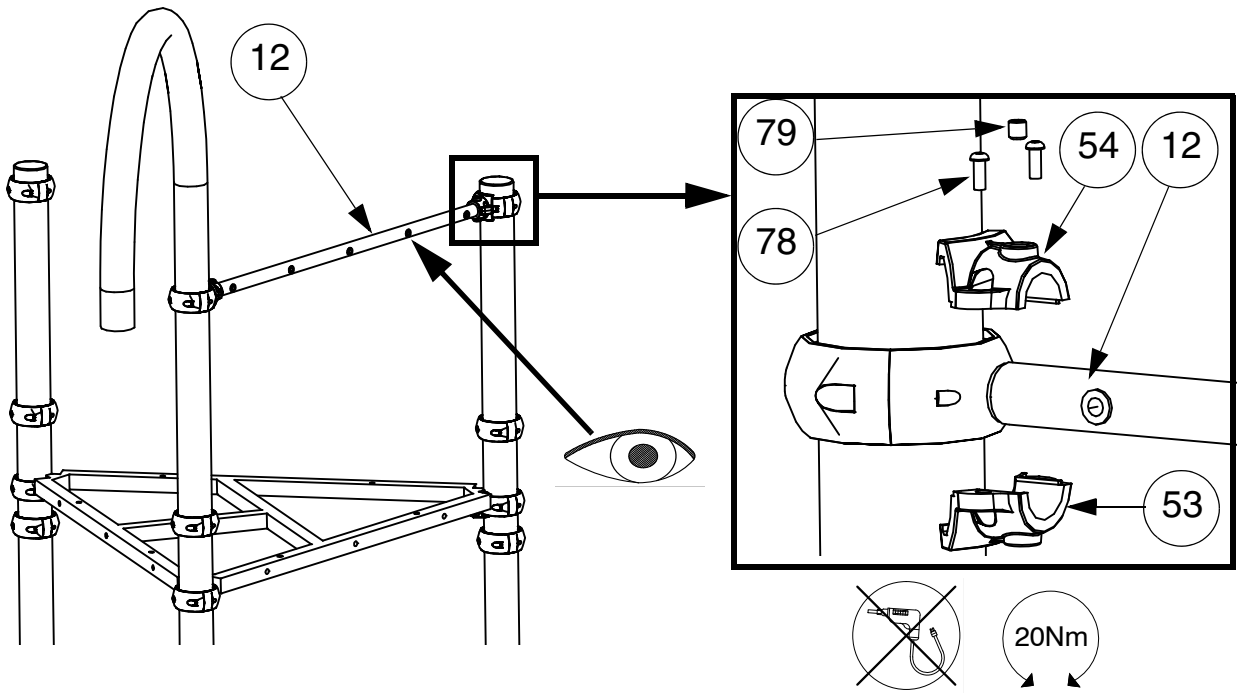
STEP 7



STEP 8

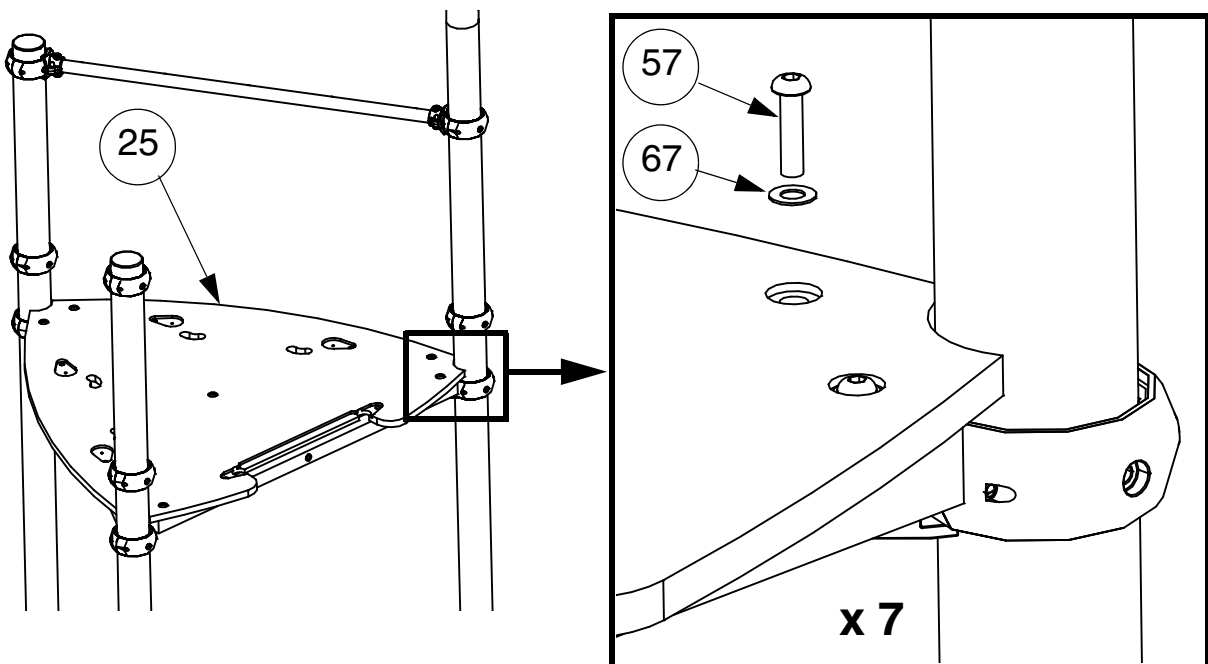


STEP 9

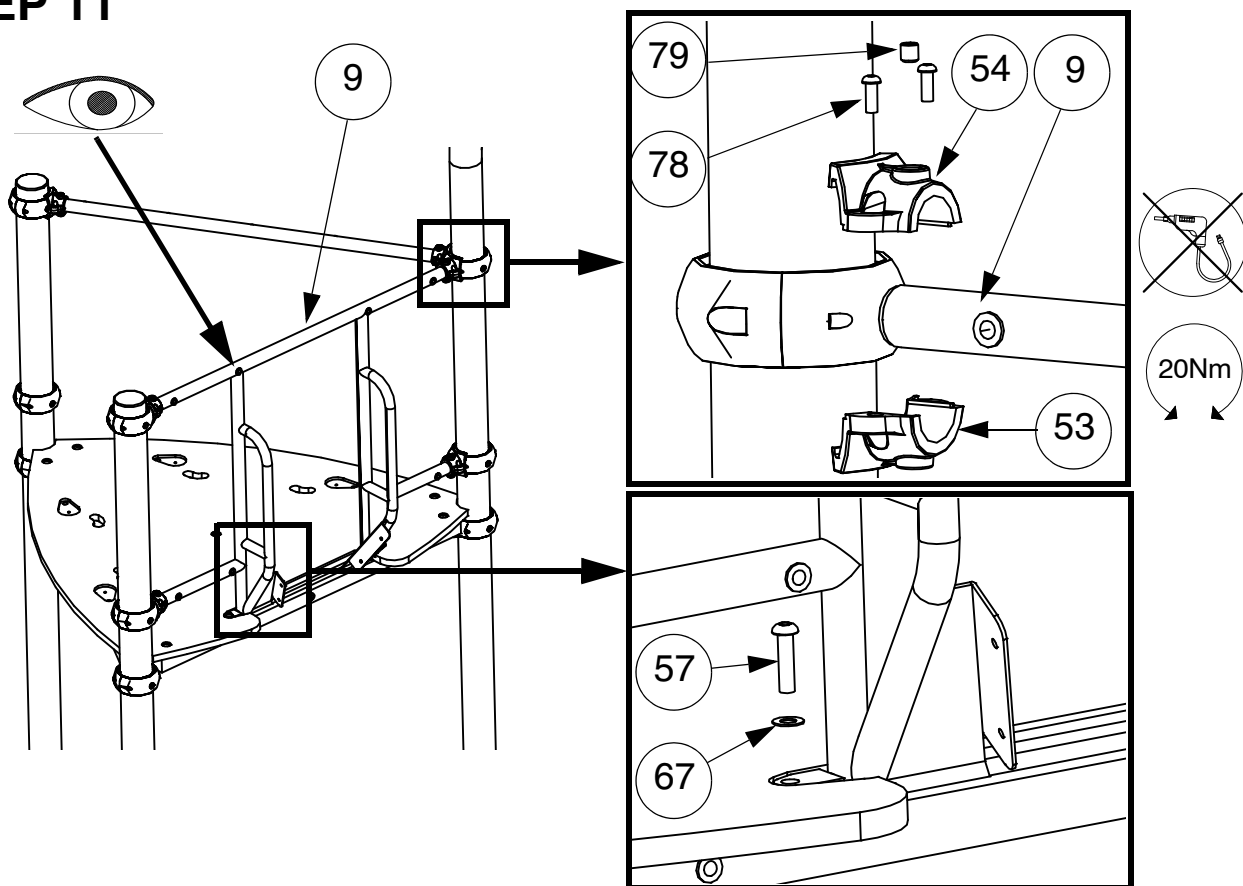


STEP 10

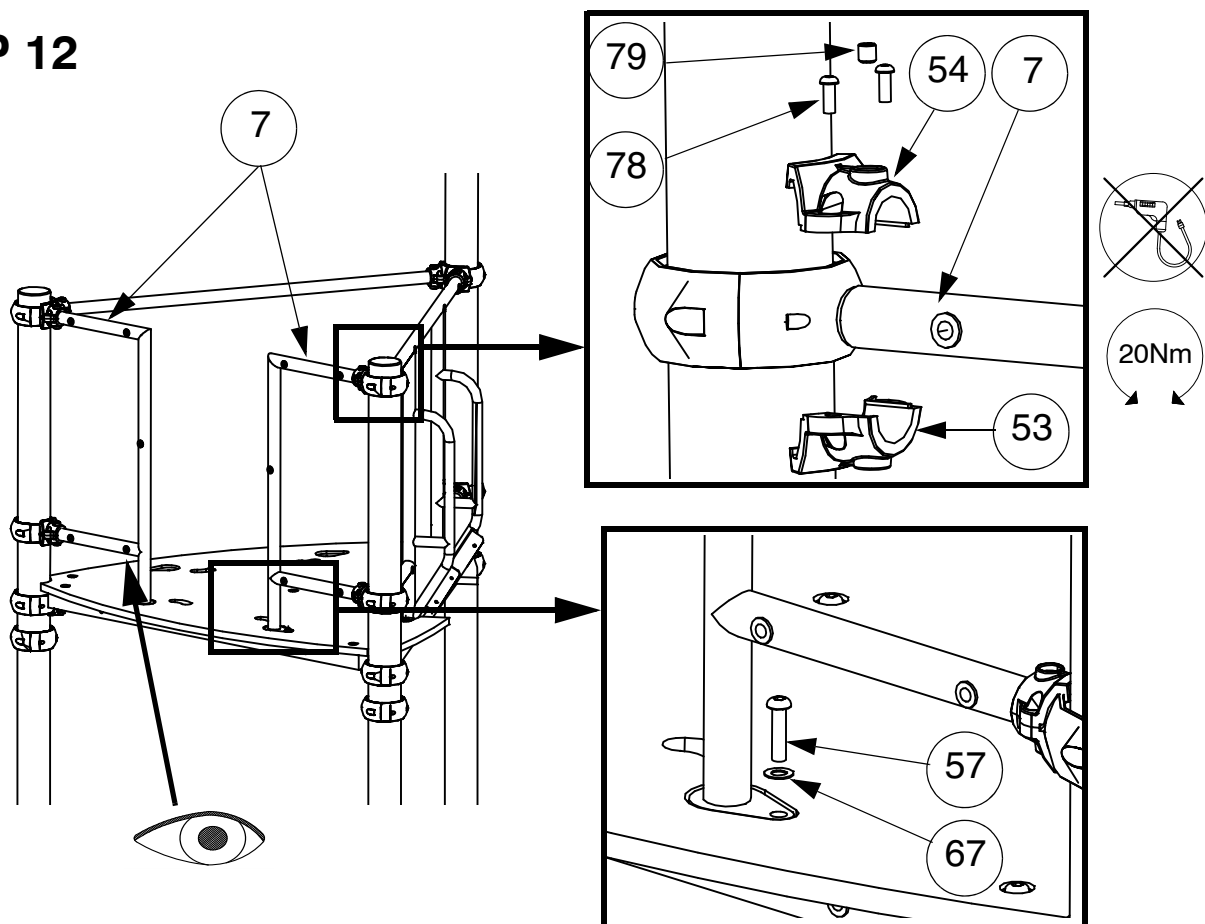
X-009/P  57



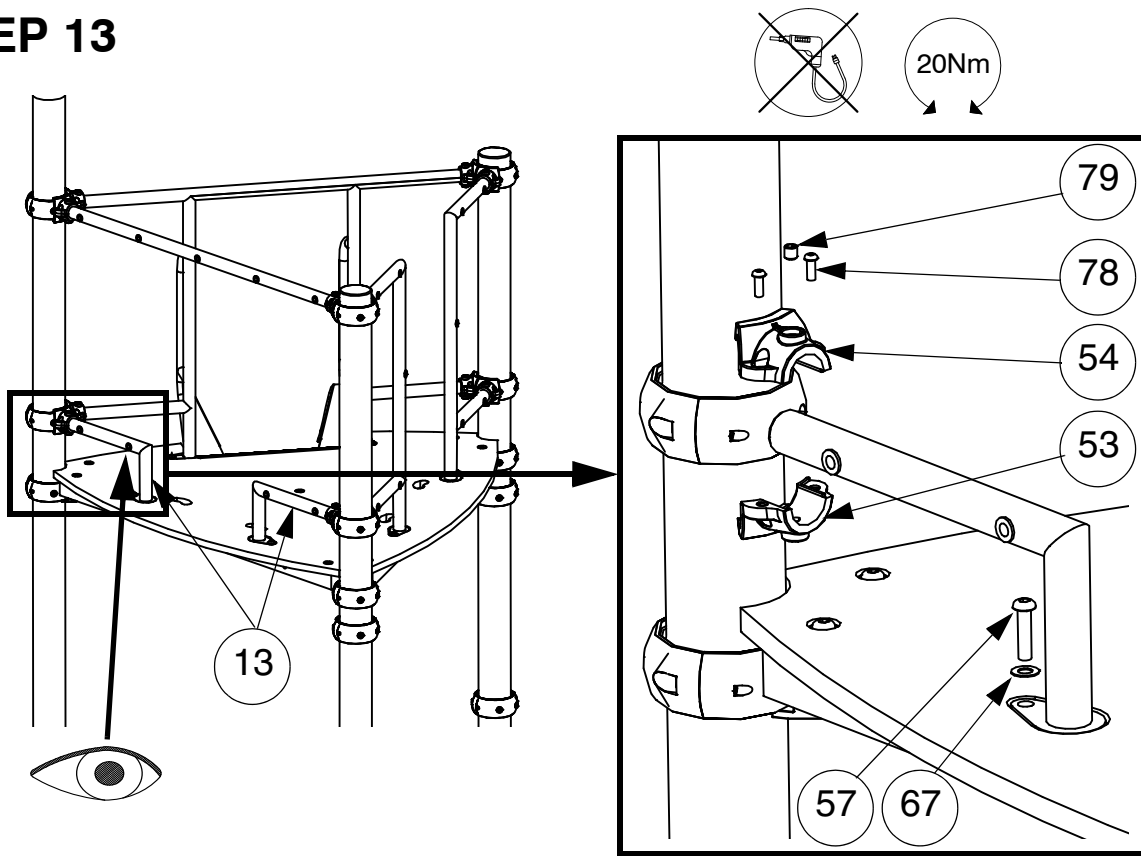
STEP 11



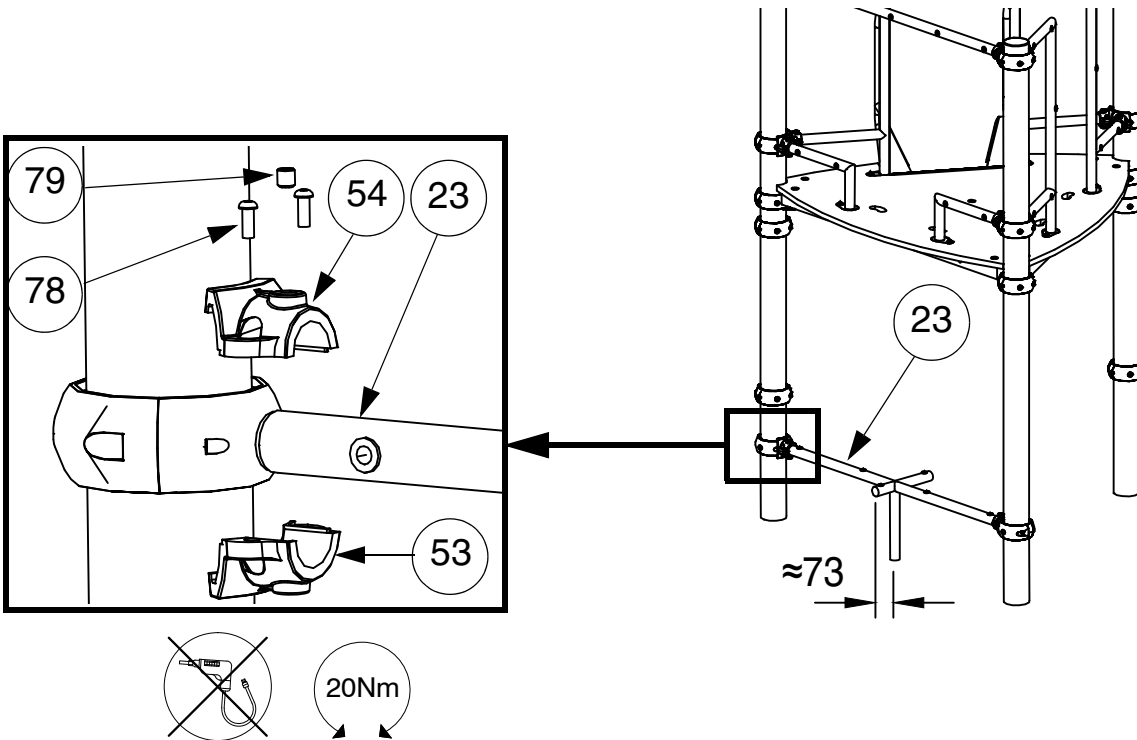
STEP 12



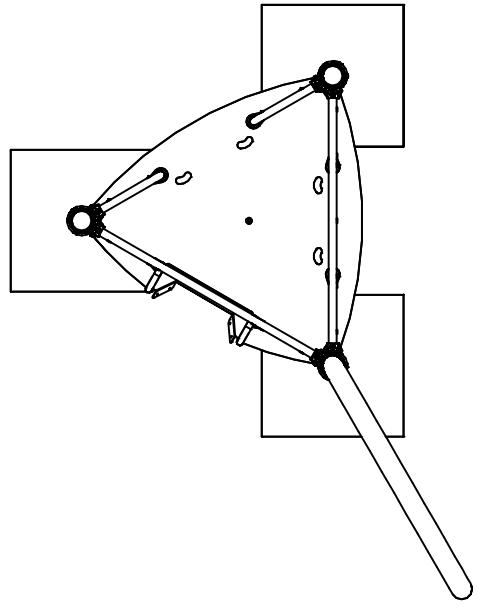
STEP 13



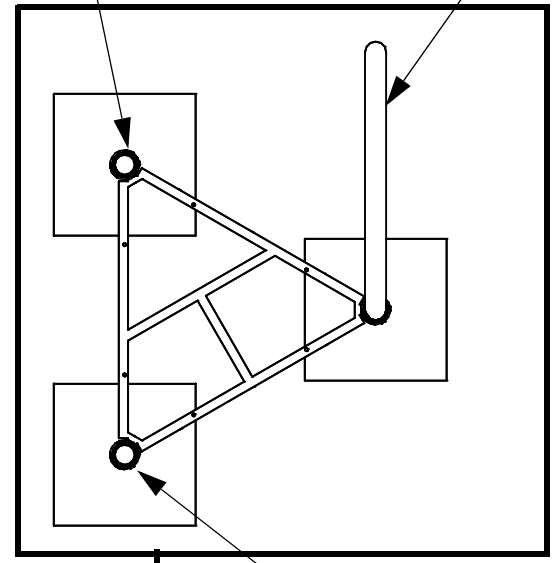
STEP 14



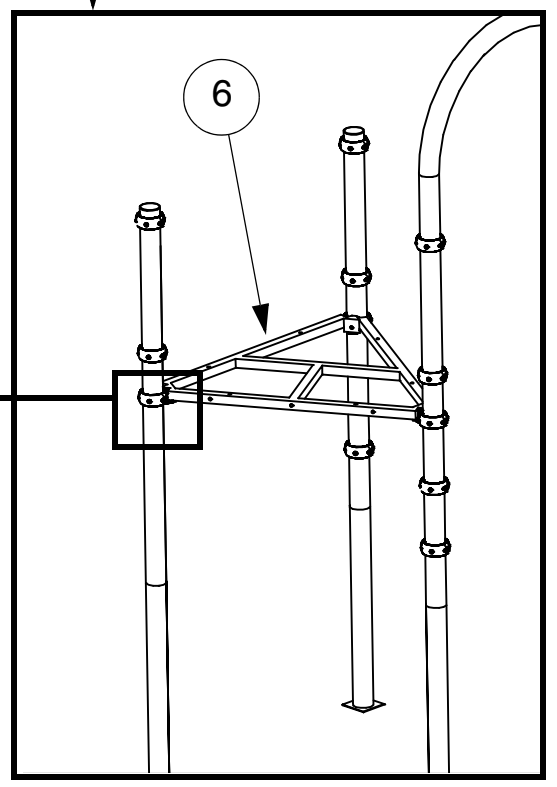
STEP 15



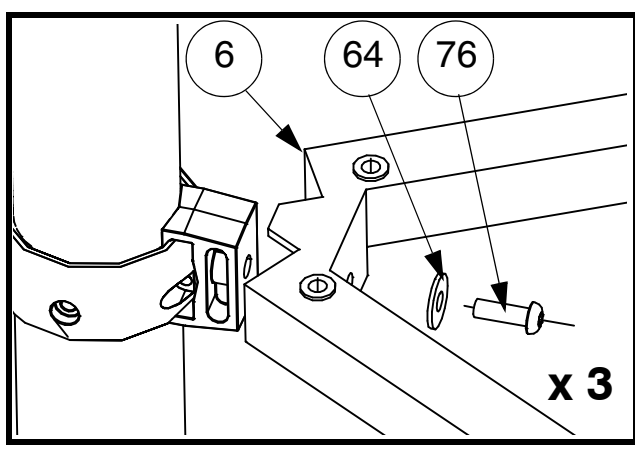
STEP 5 STEP 6



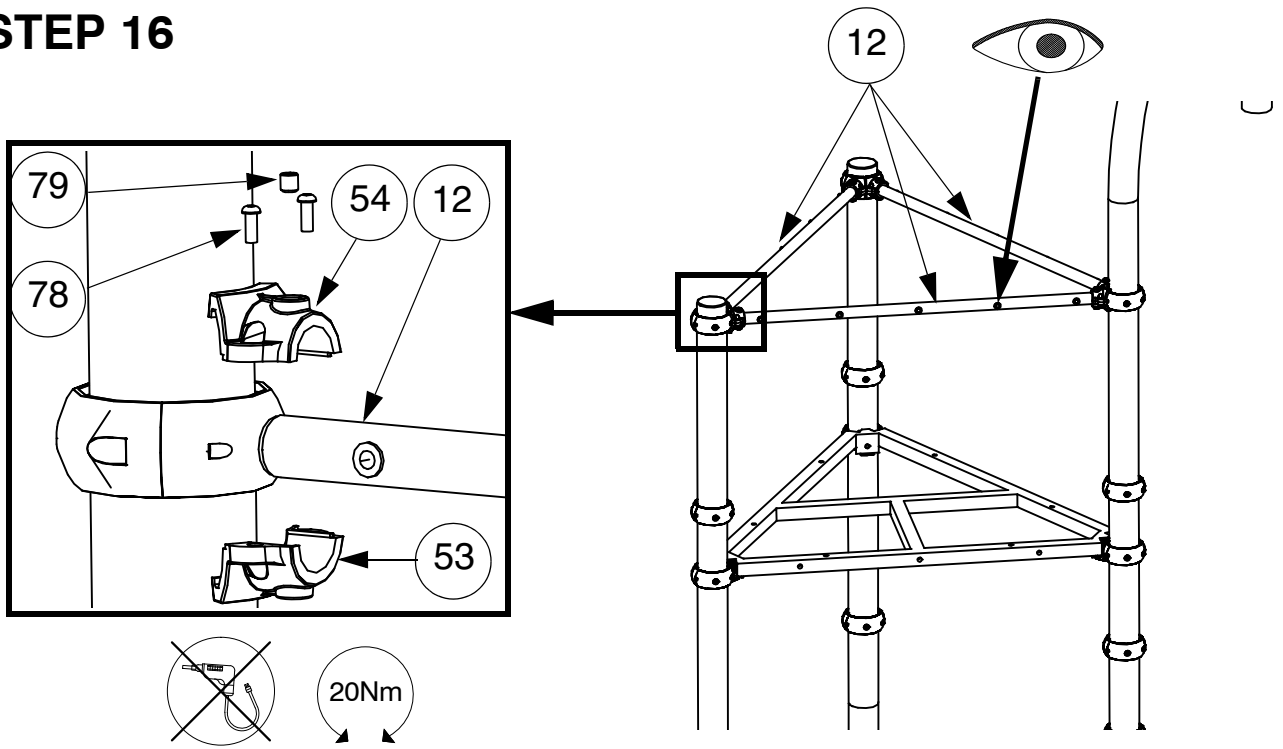
STEP 4



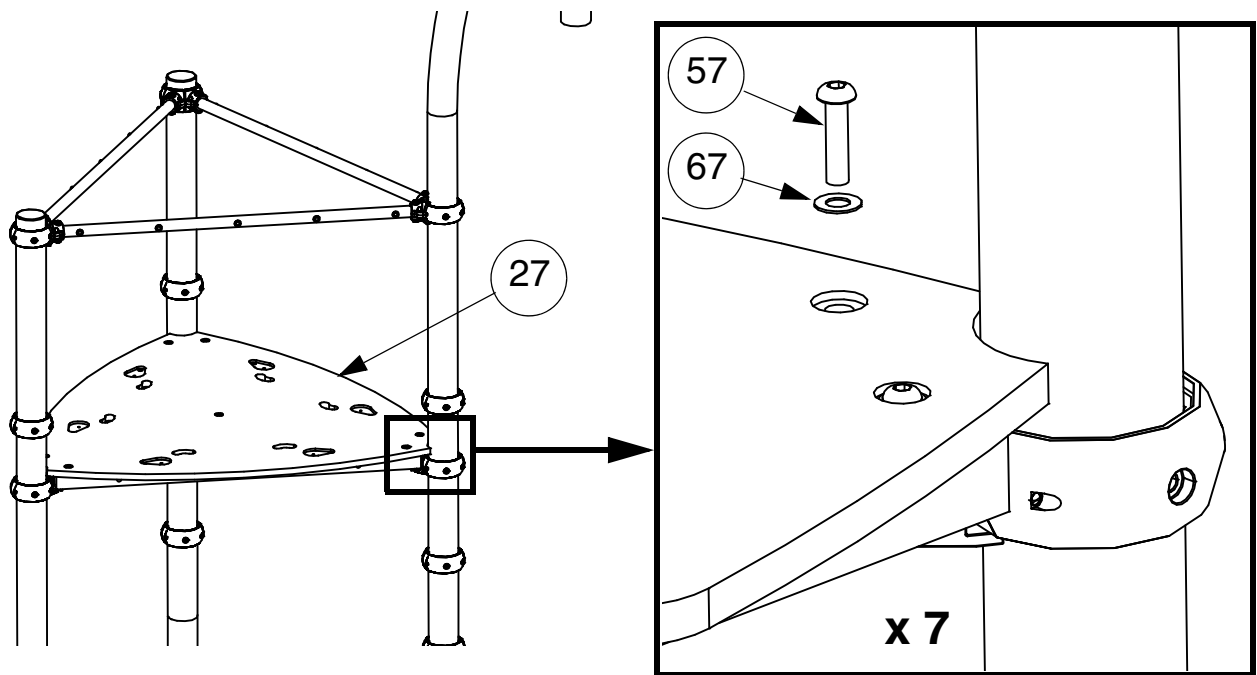
20-25Nm



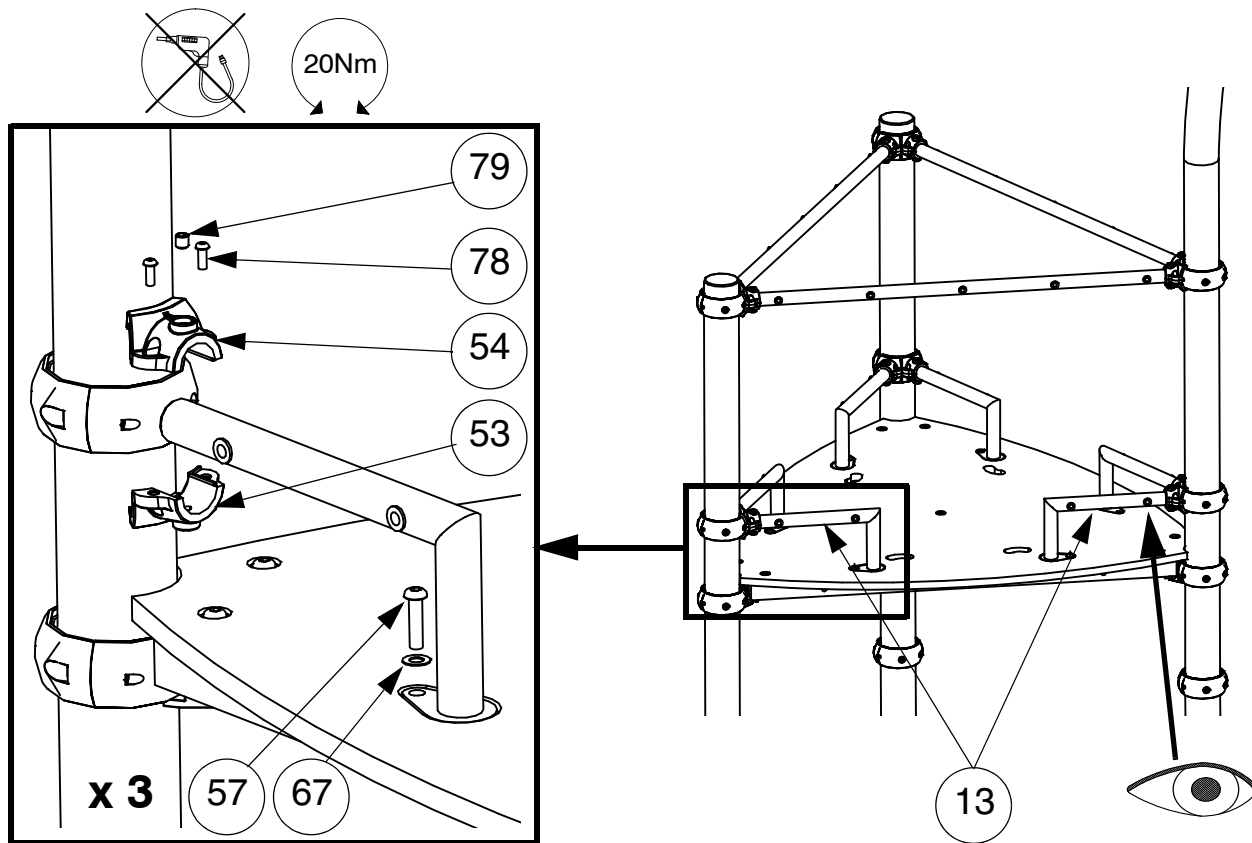
STEP 16



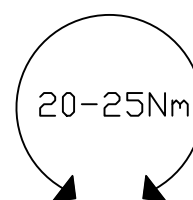
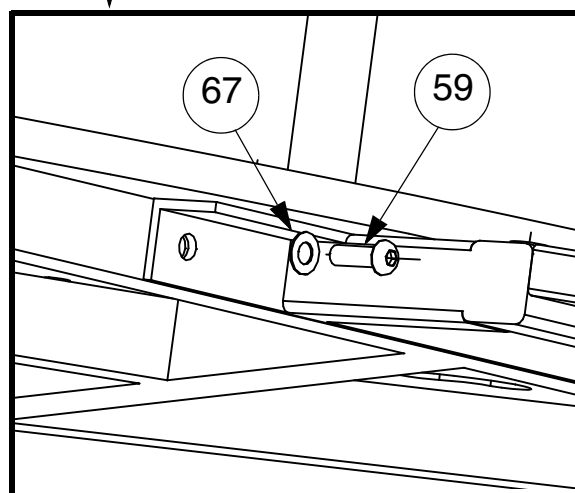
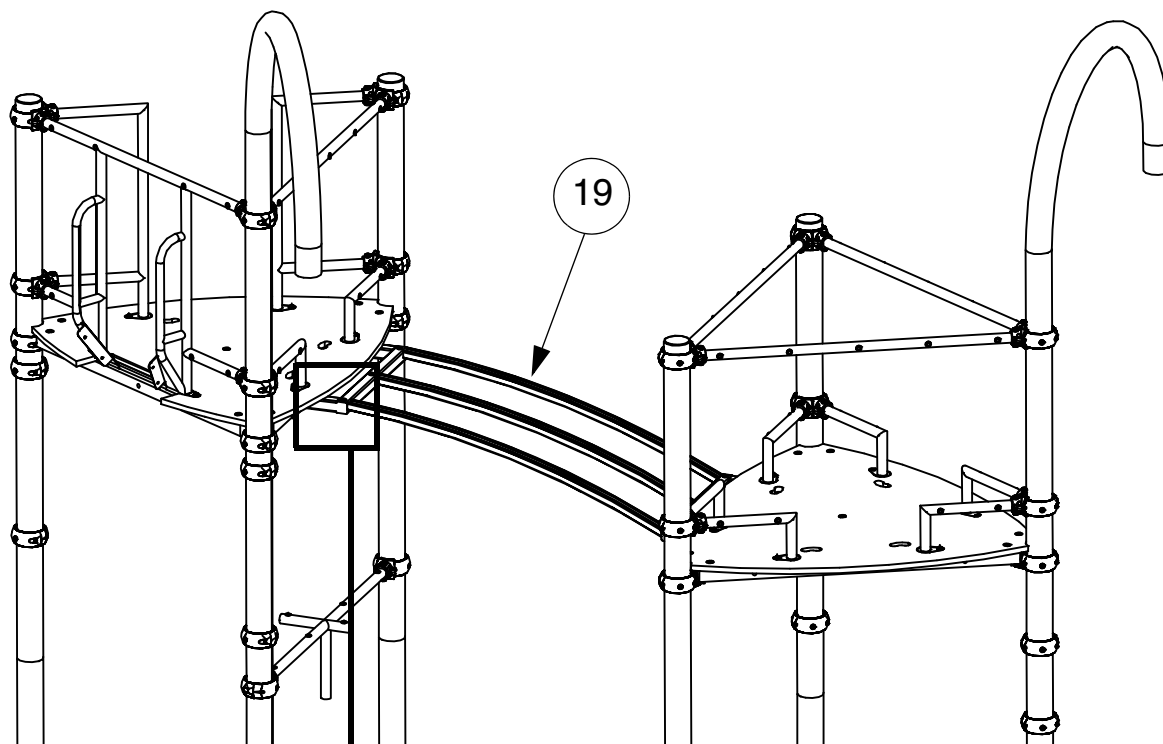
STEP 17



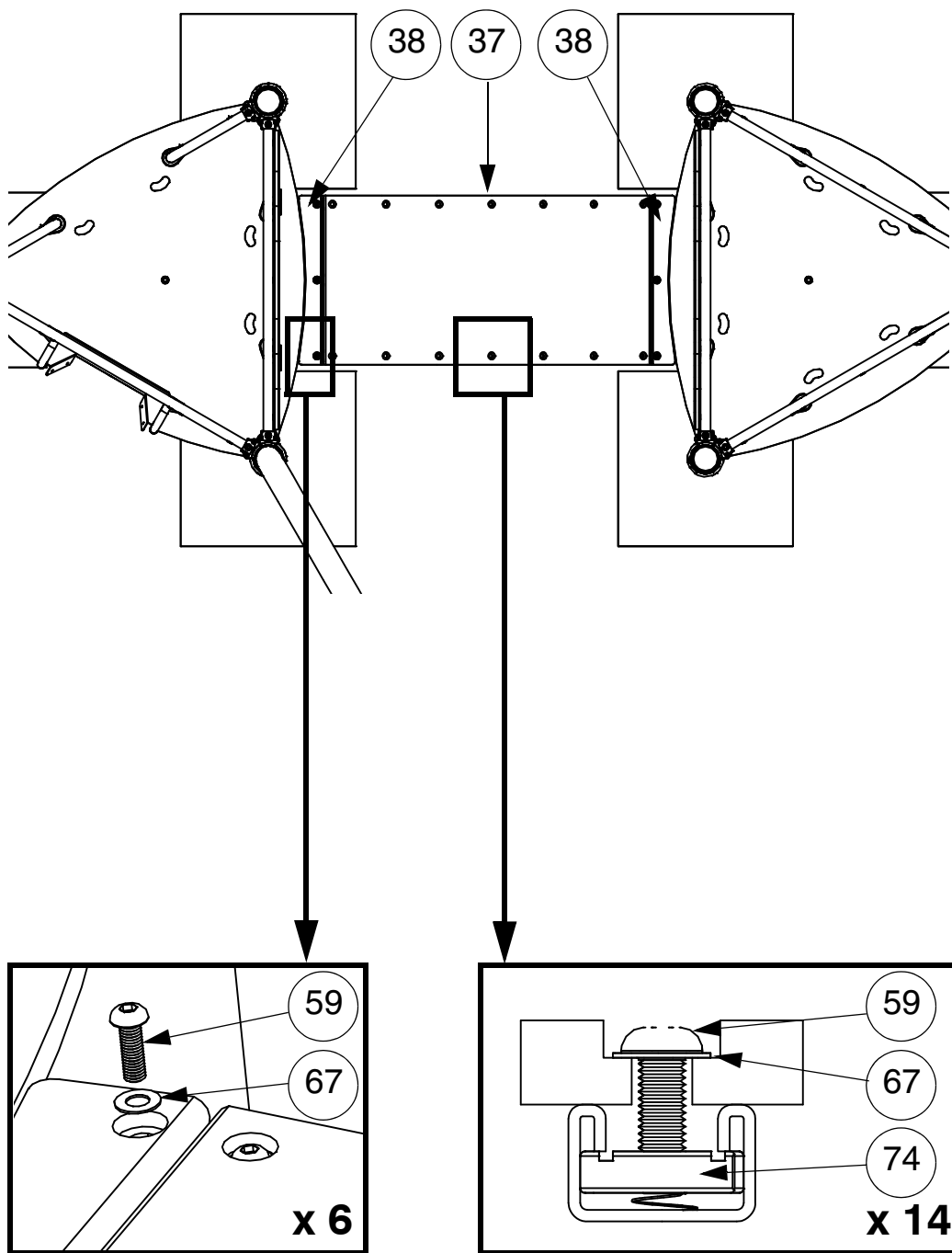
STEP 18



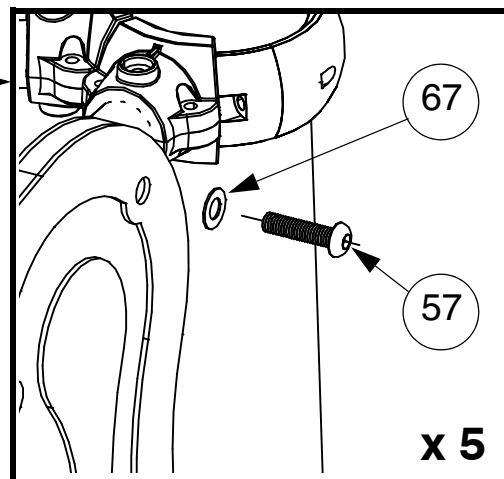
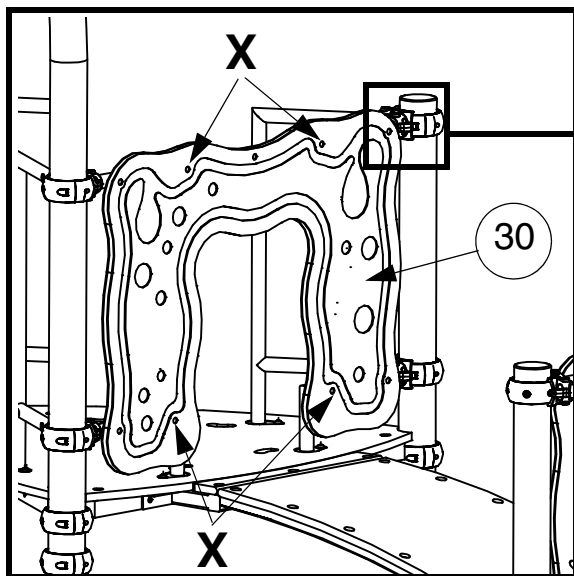
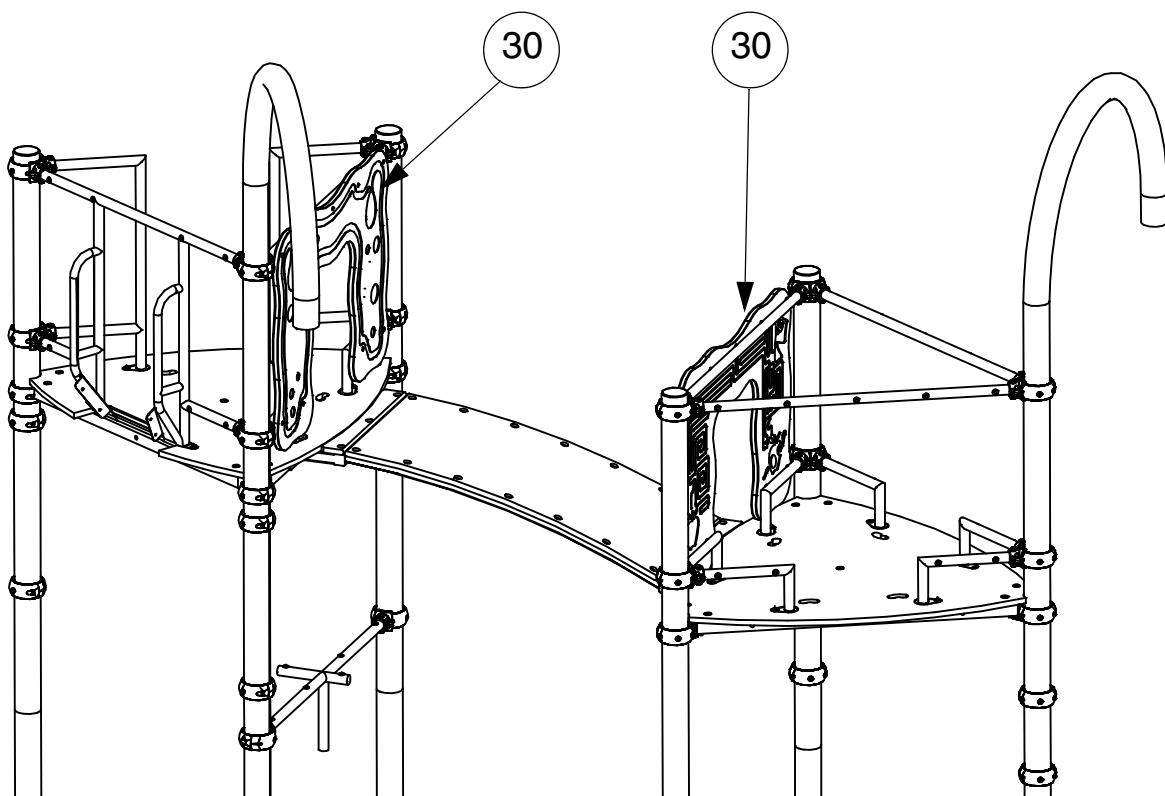
STEP 19



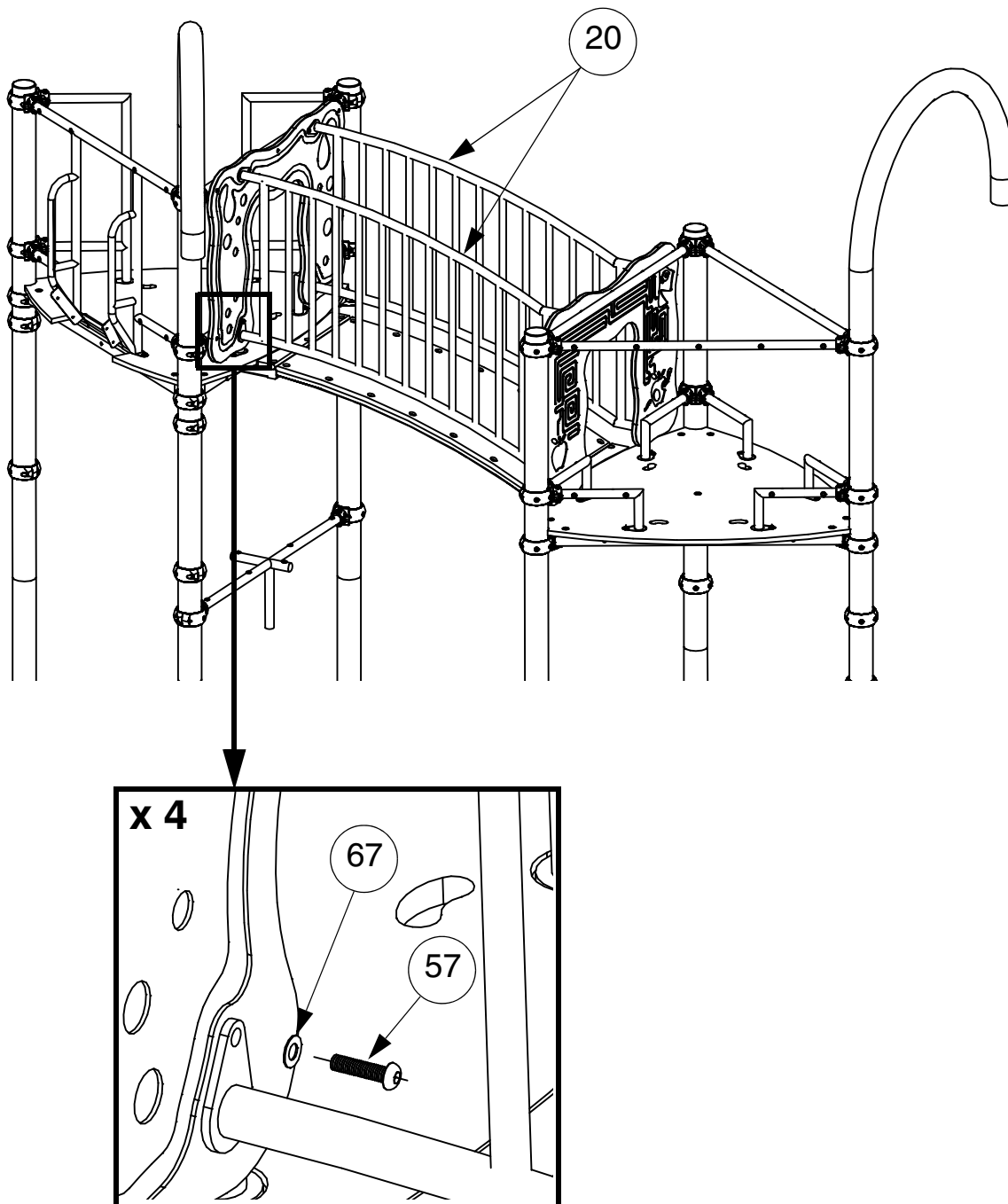
STEP 20



STEP 21

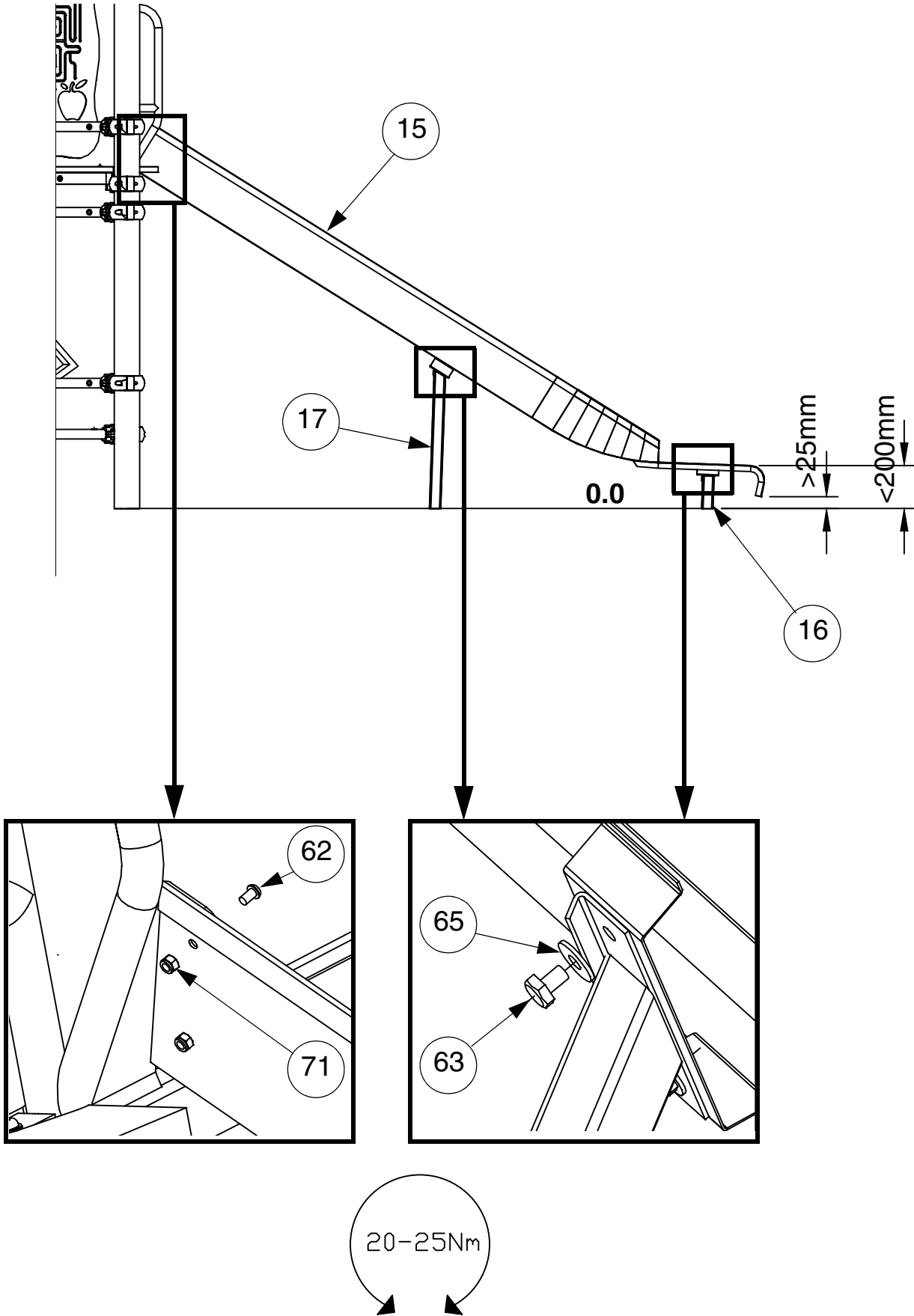


STEP 22

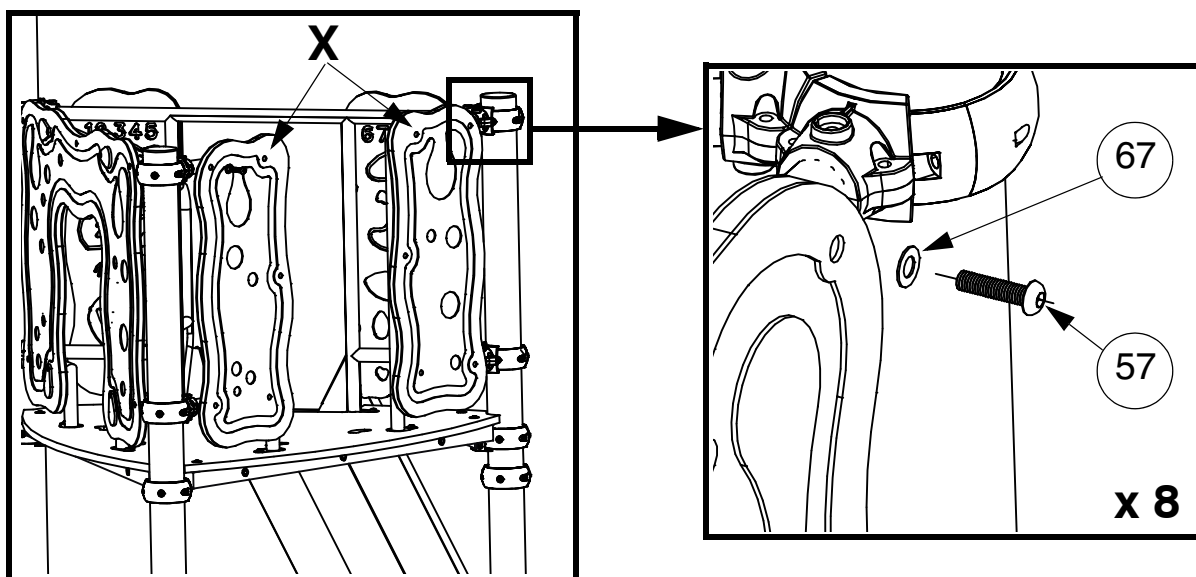
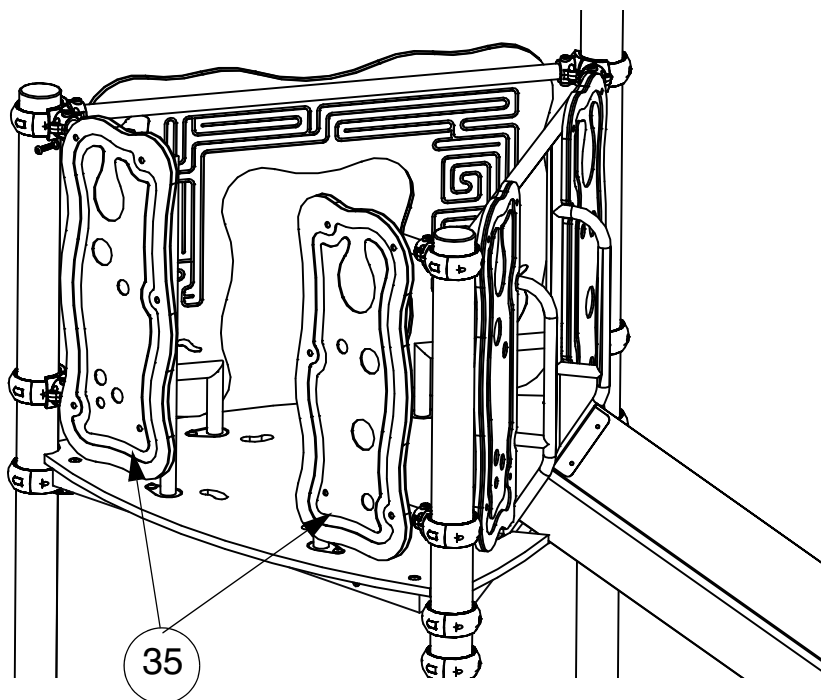


STEP 23

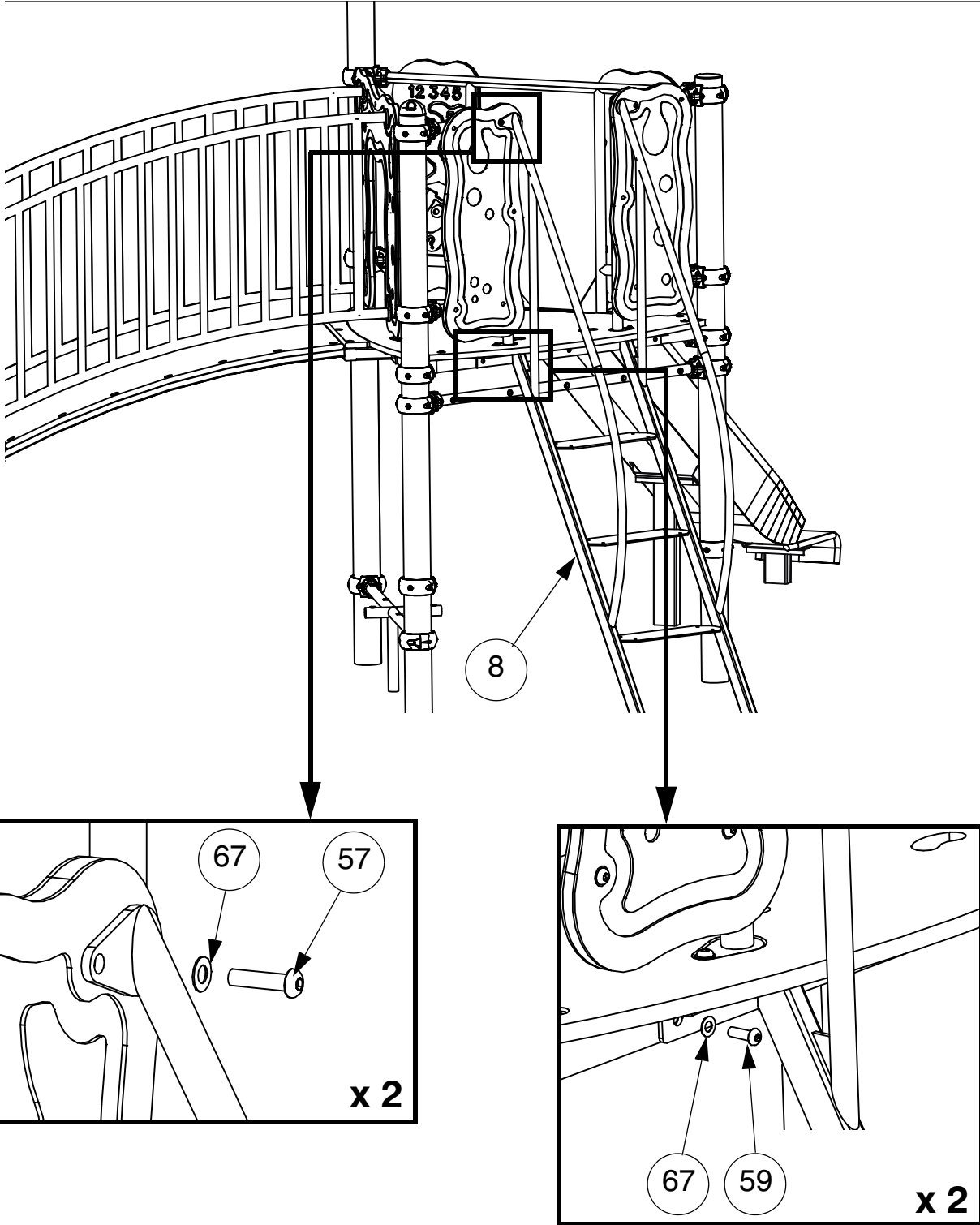
X-009/P  58



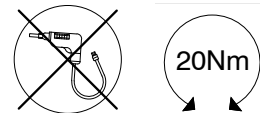
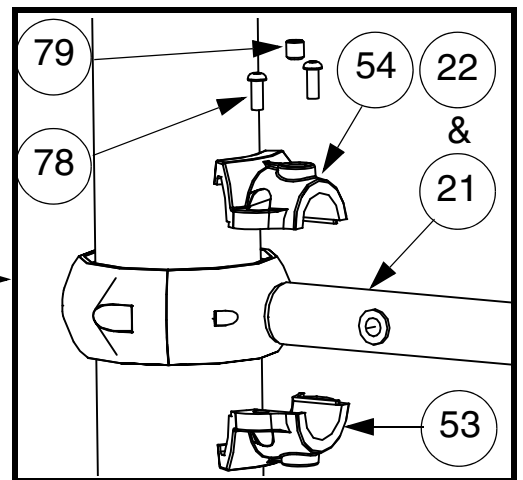
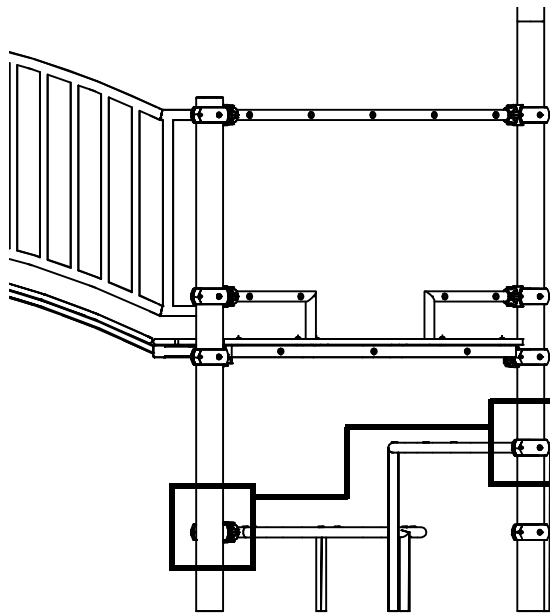
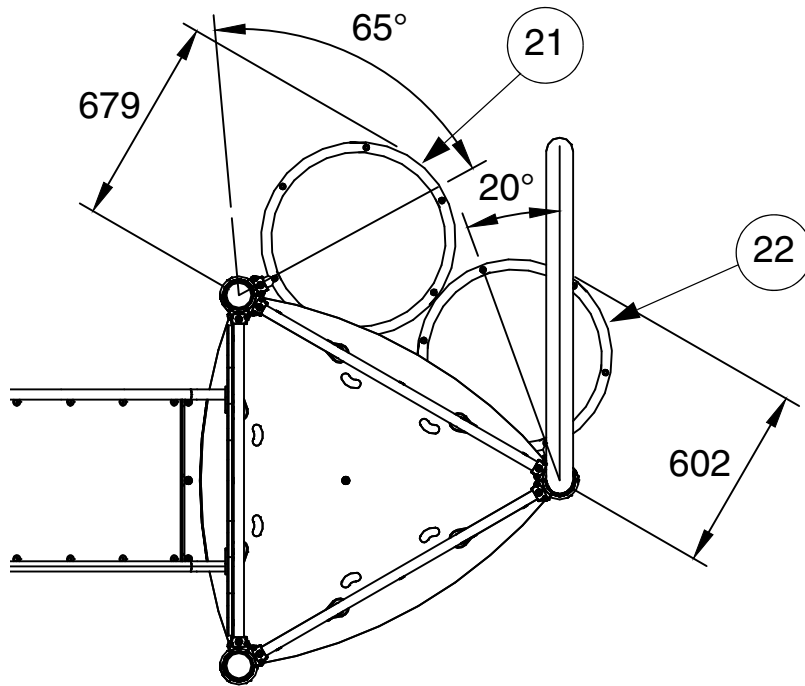
STEP 24



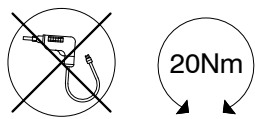
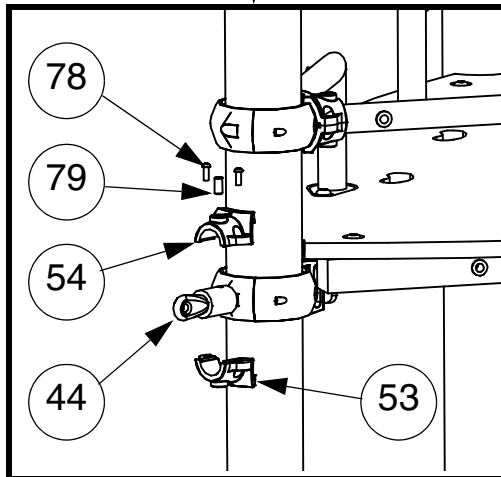
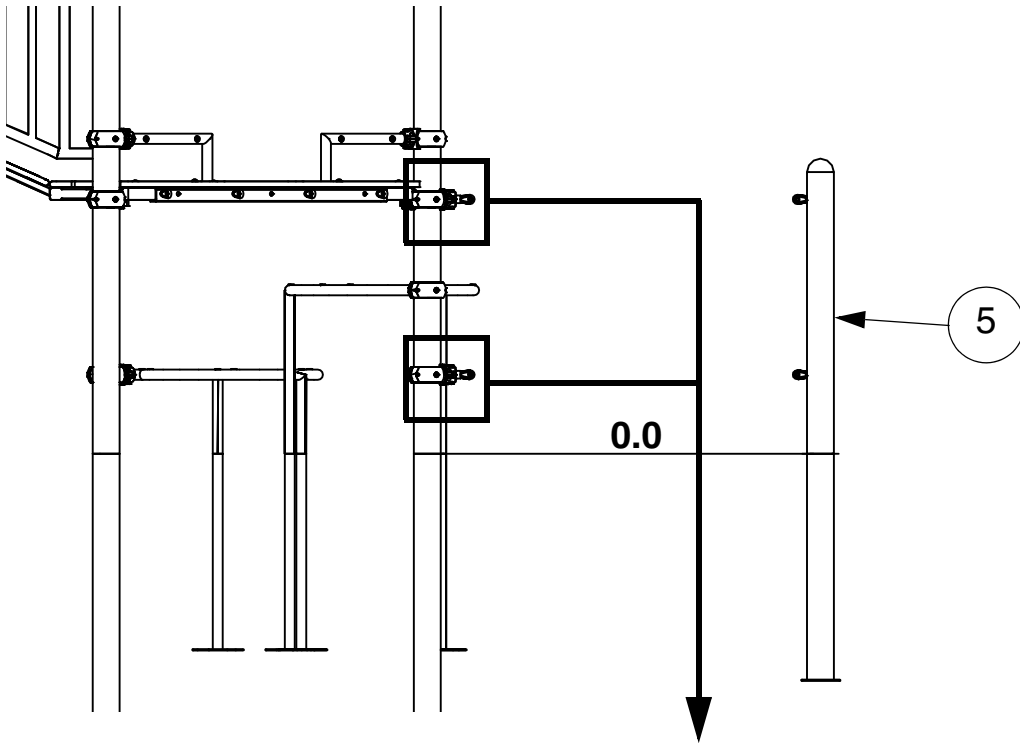
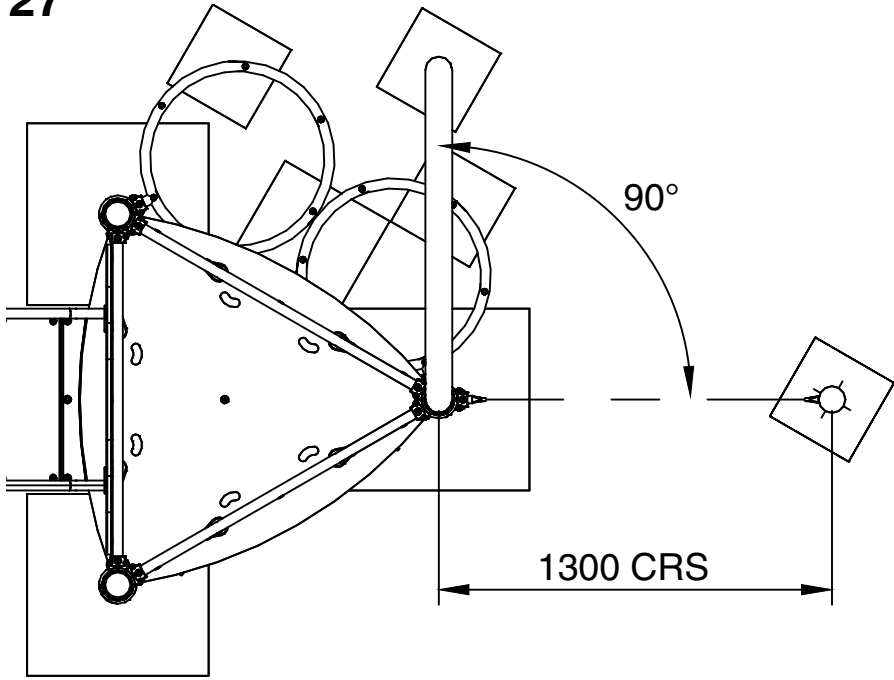
STEP 25



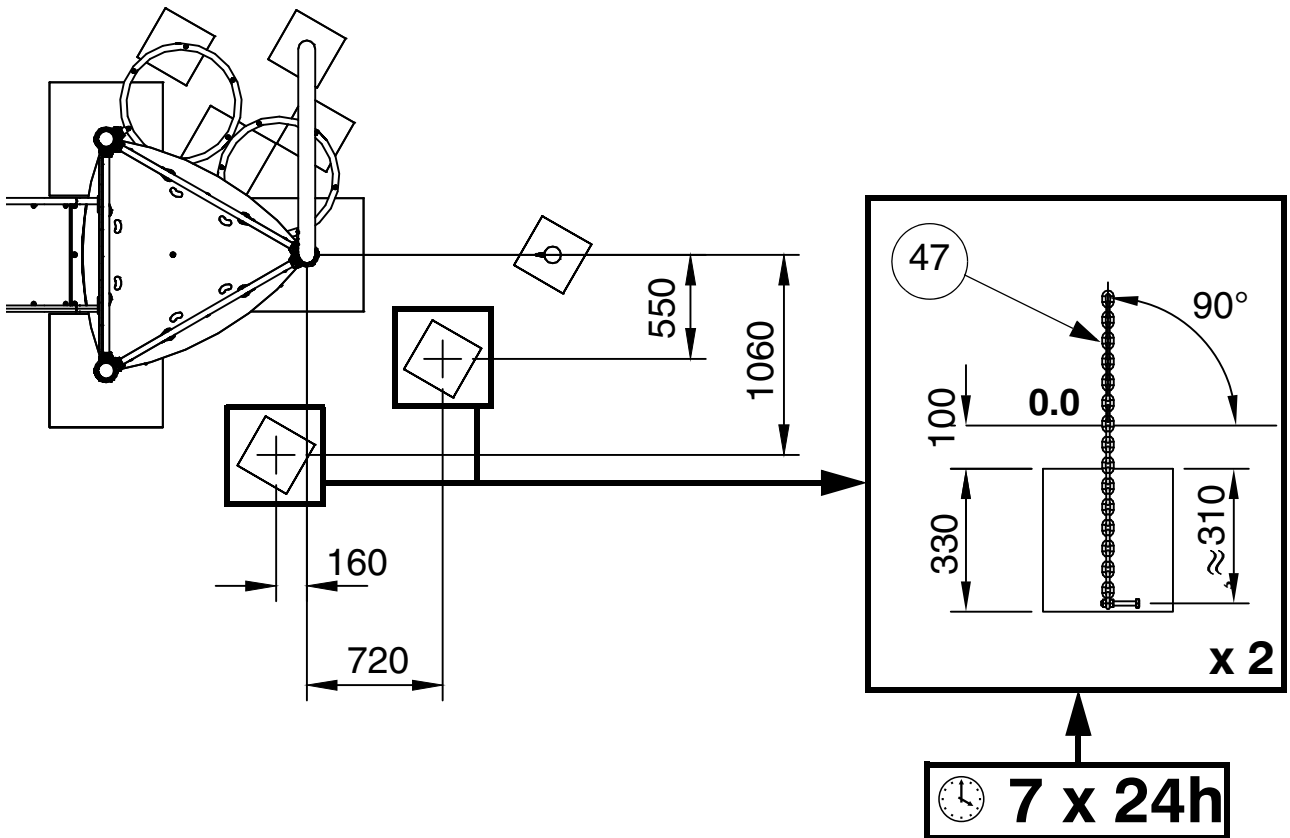
STEP 26



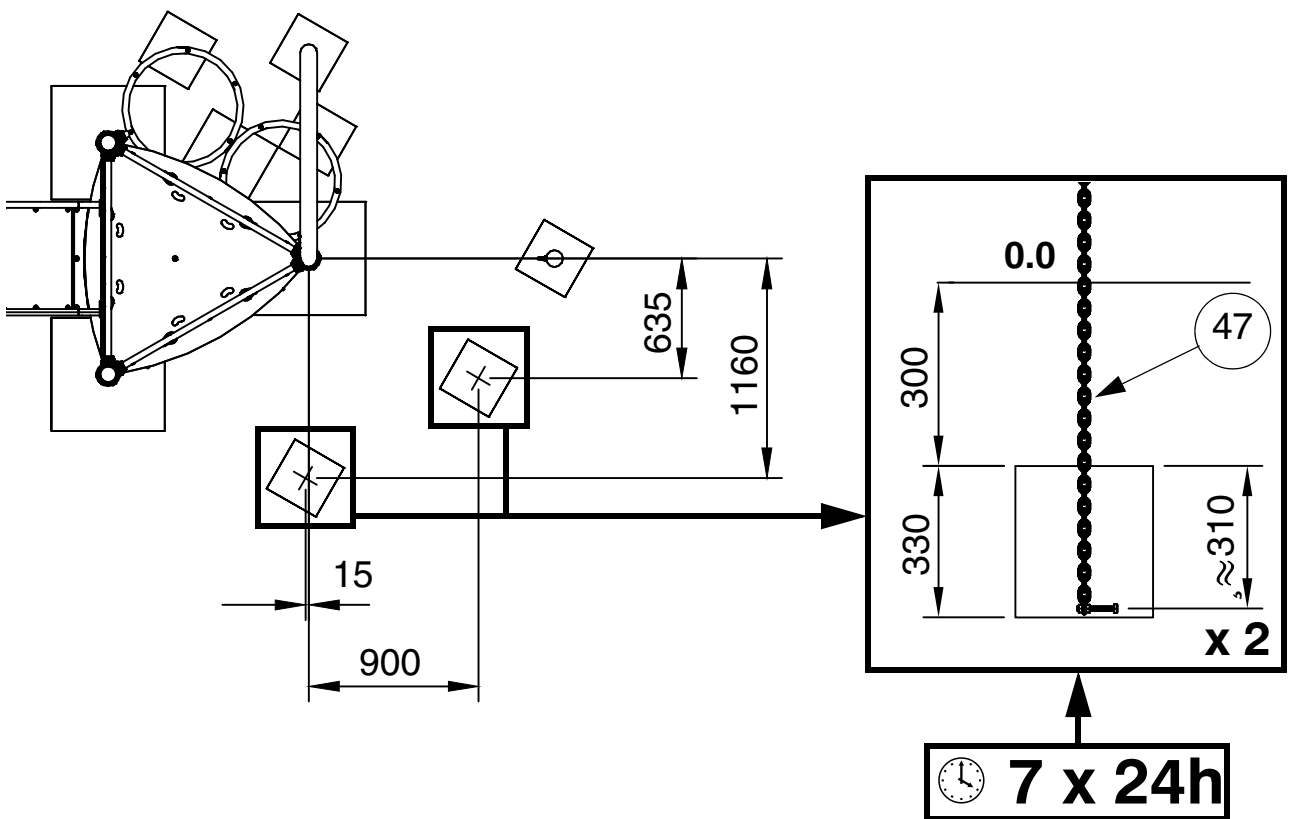
STEP 27



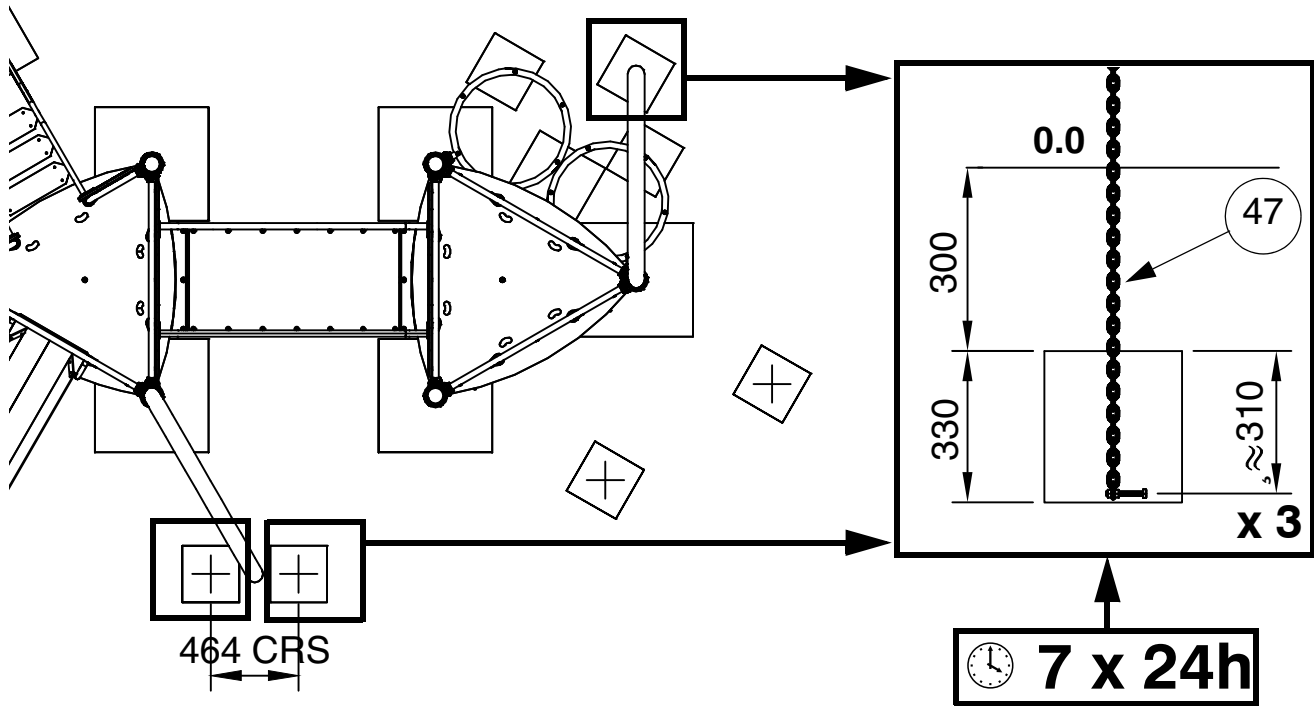
STEP 28A - TYPE 3



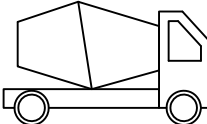


STEP 28B - TYPE 1/2



STEP 29

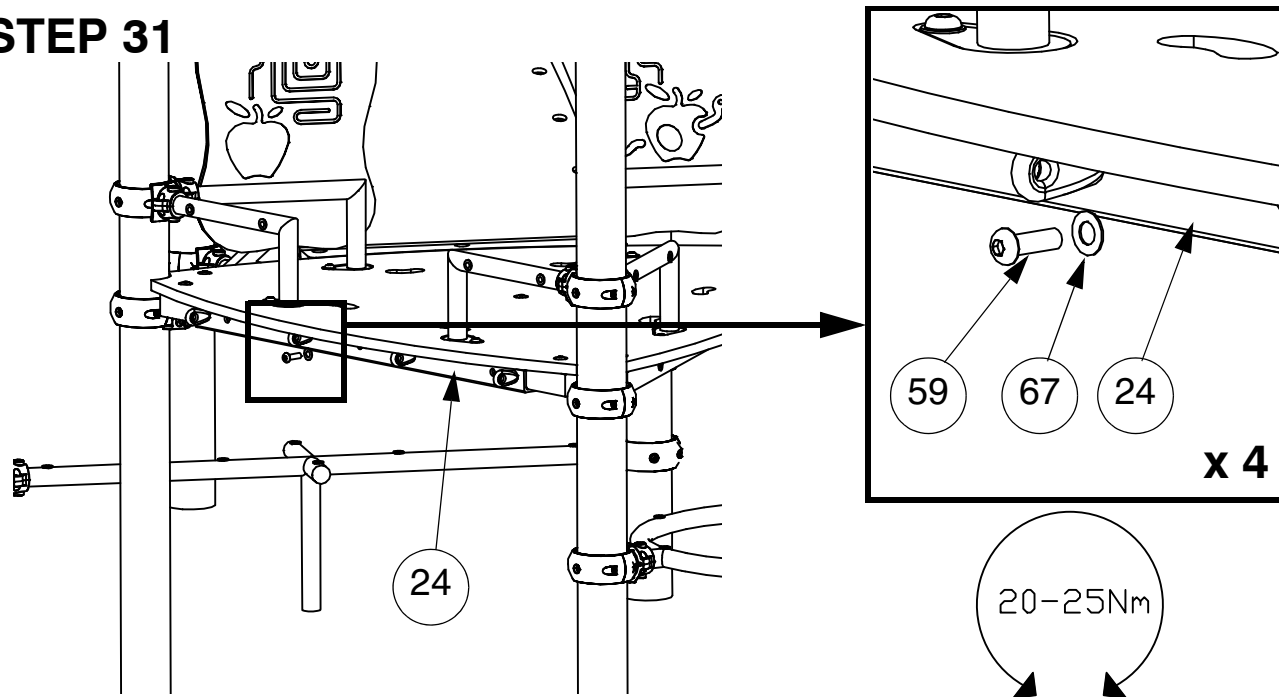


STEP 30

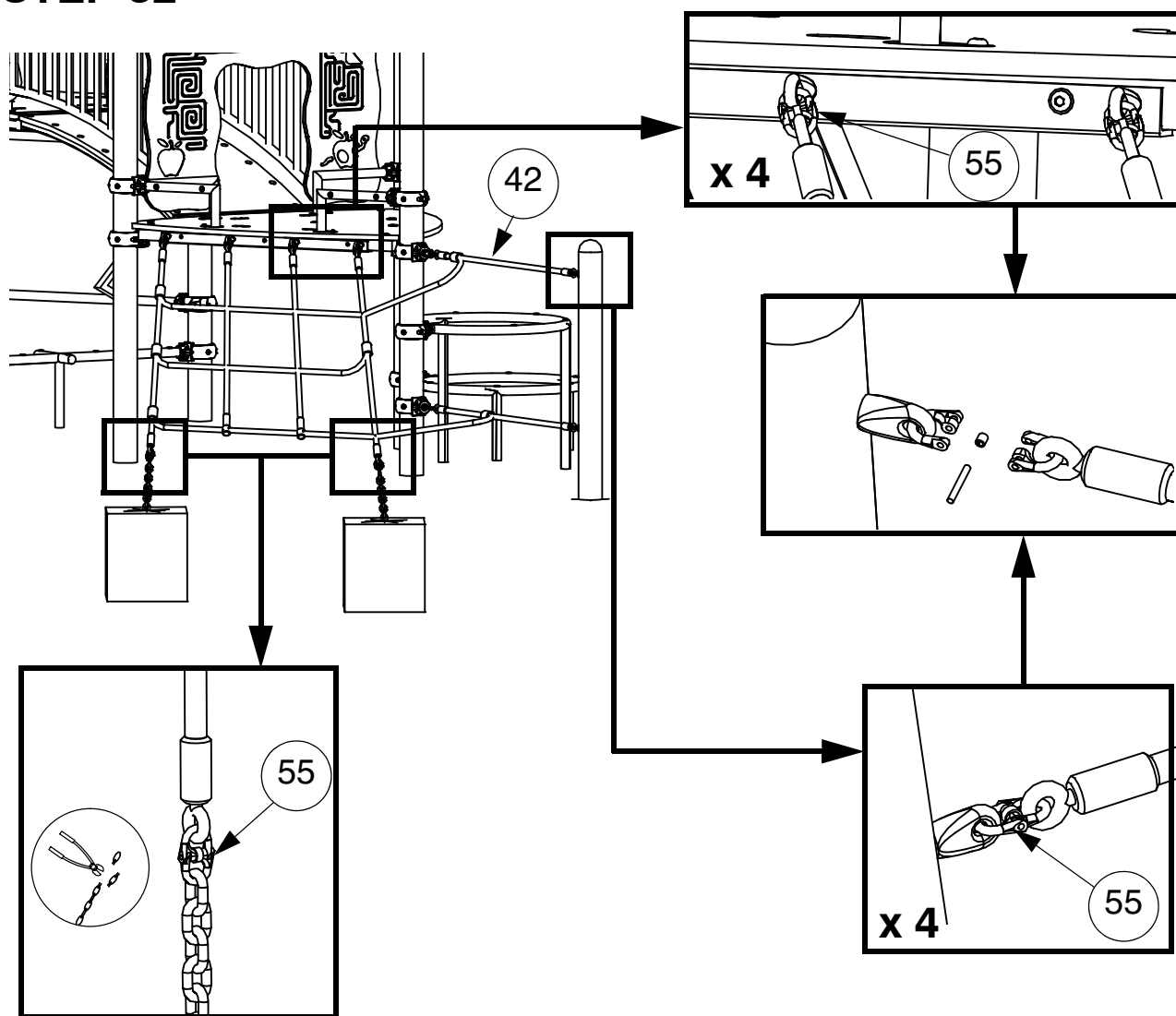

S2 (50mm)
≥C20-25
 7 x 24h
 101

		5 - 8
---	---	-------

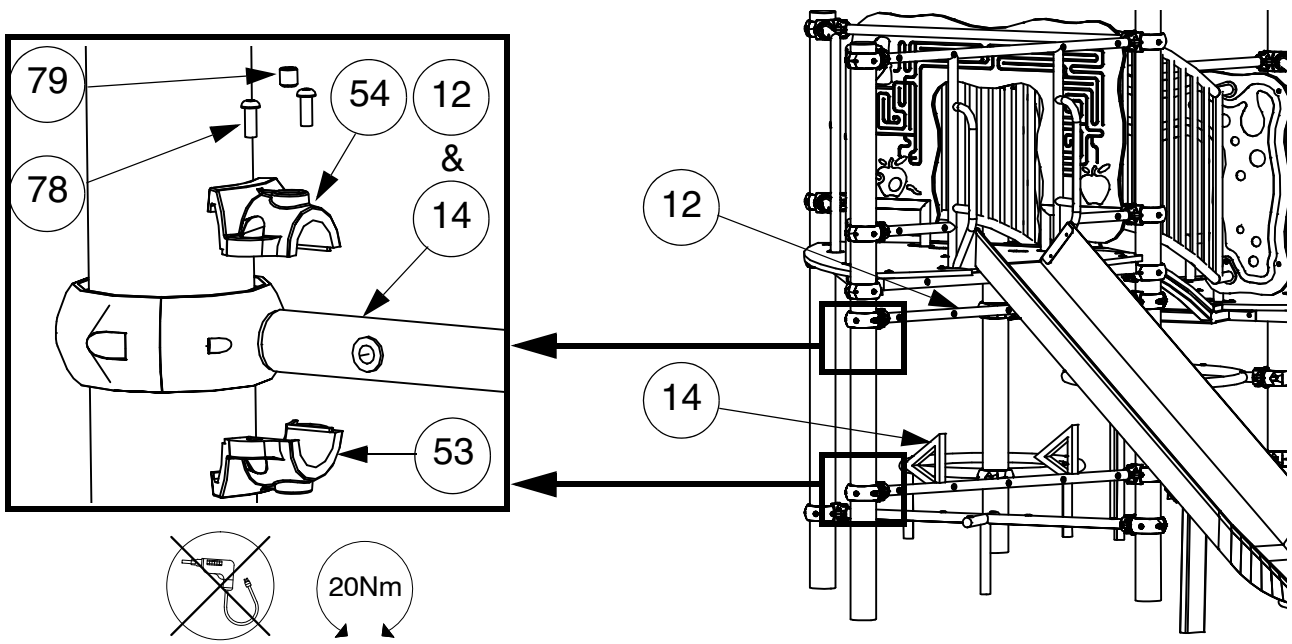
STEP 31



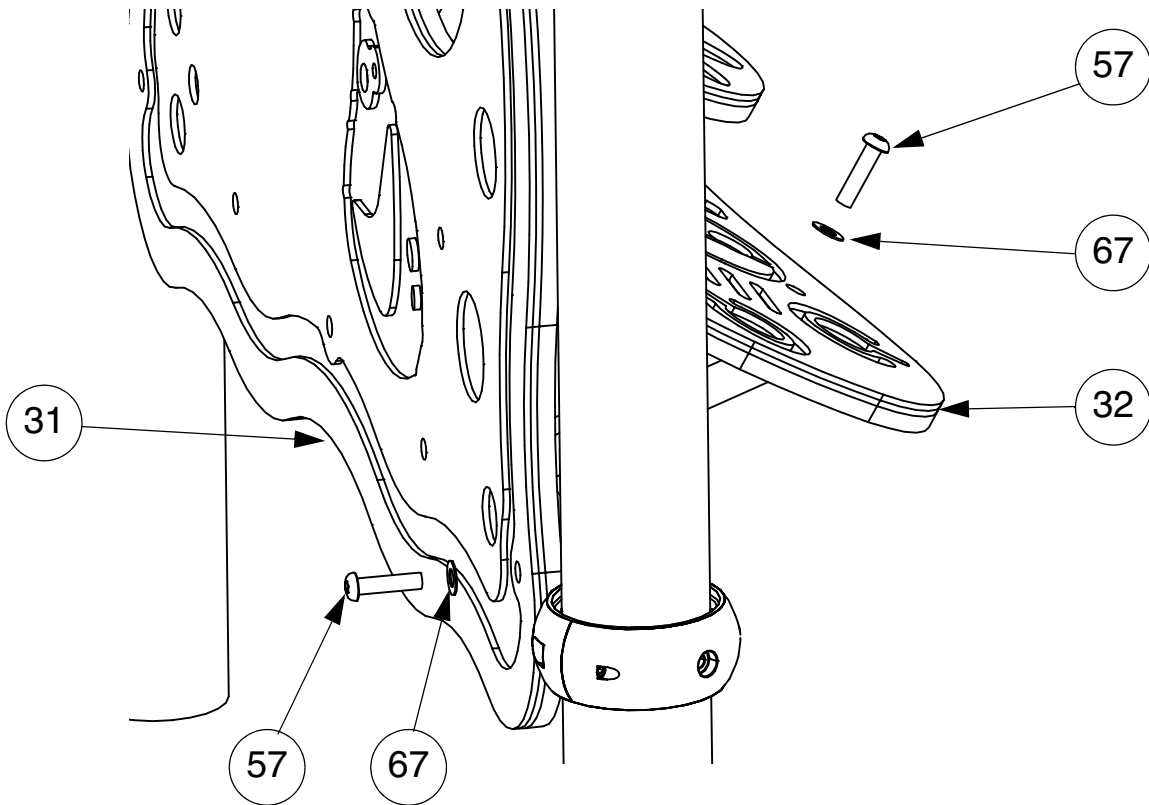
STEP 32



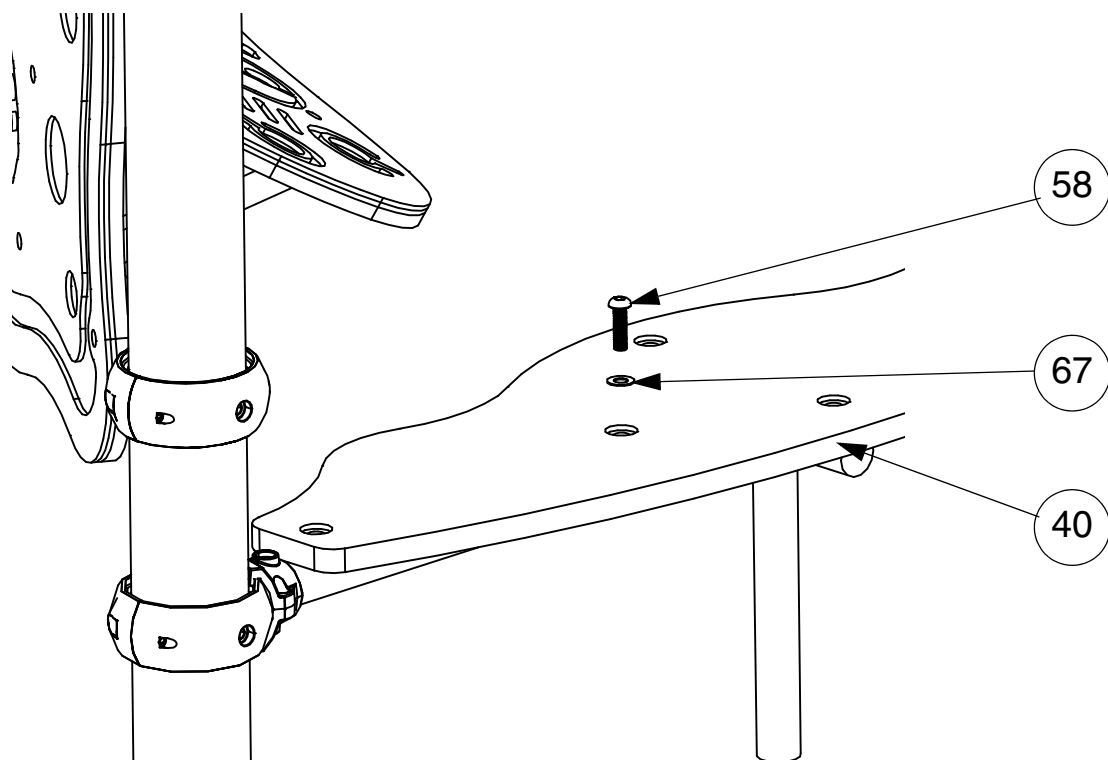
STEP 33



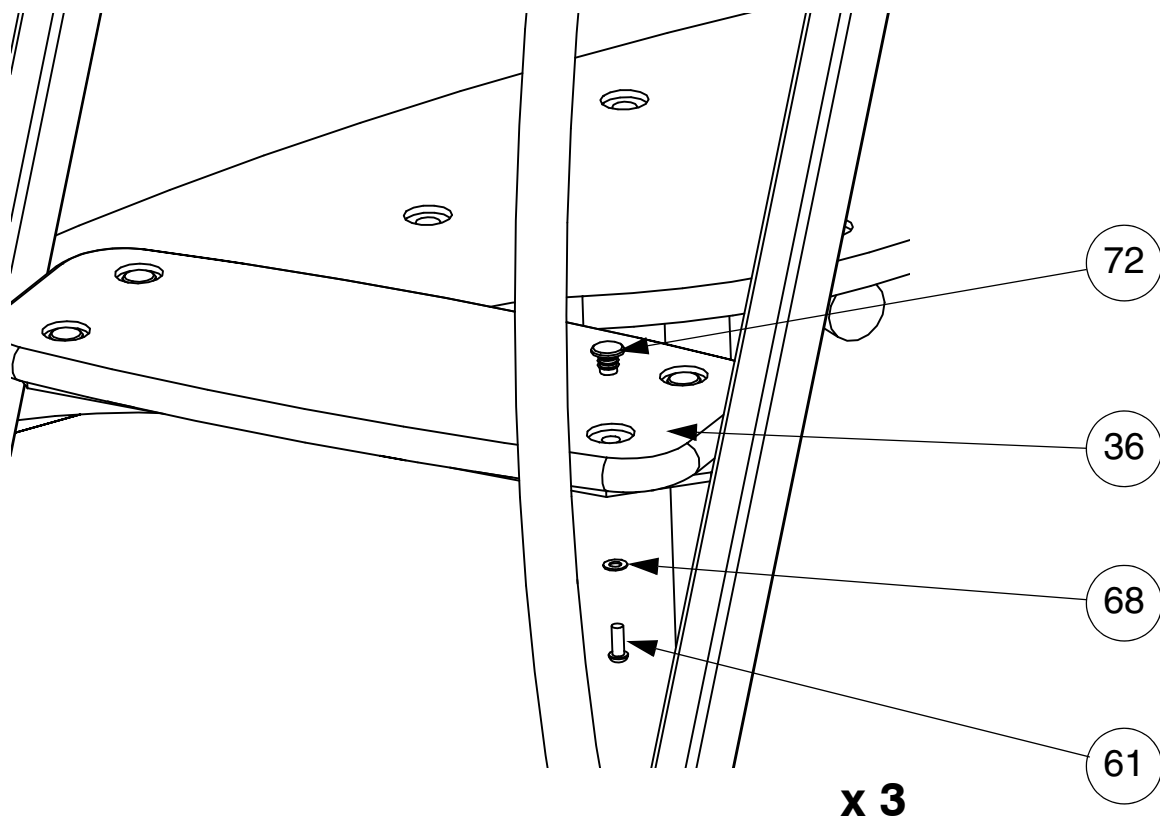
STEP 34



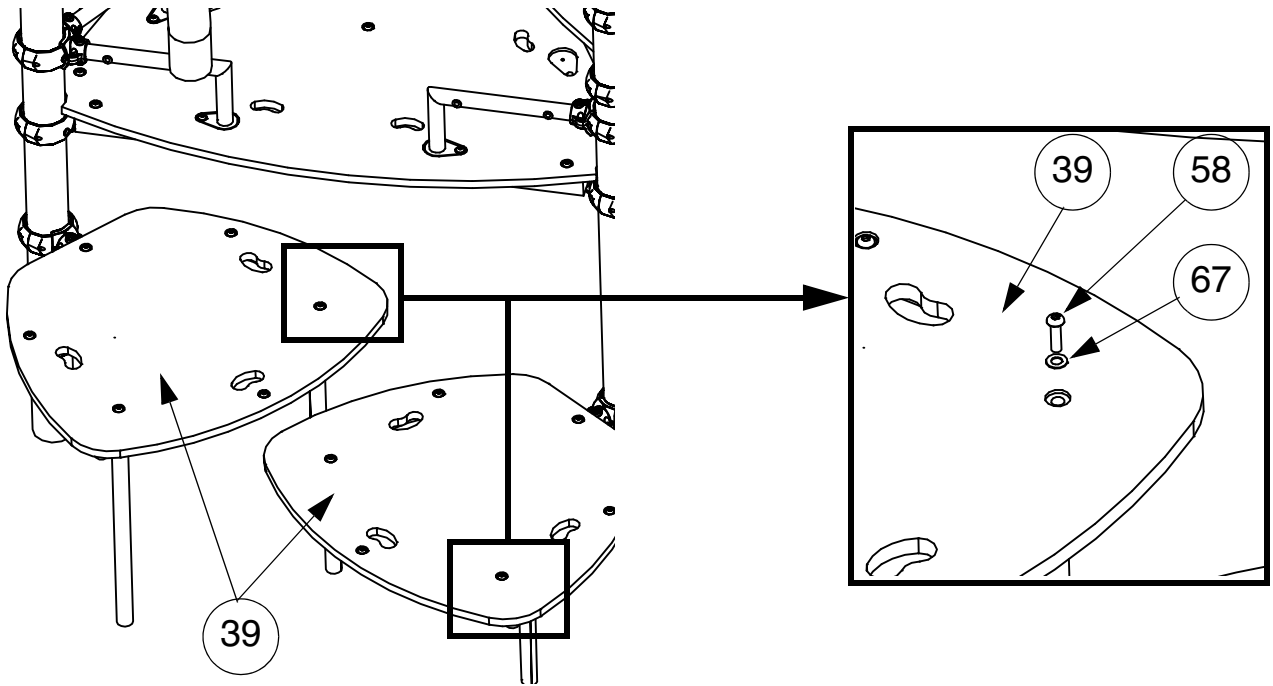
STEP 35



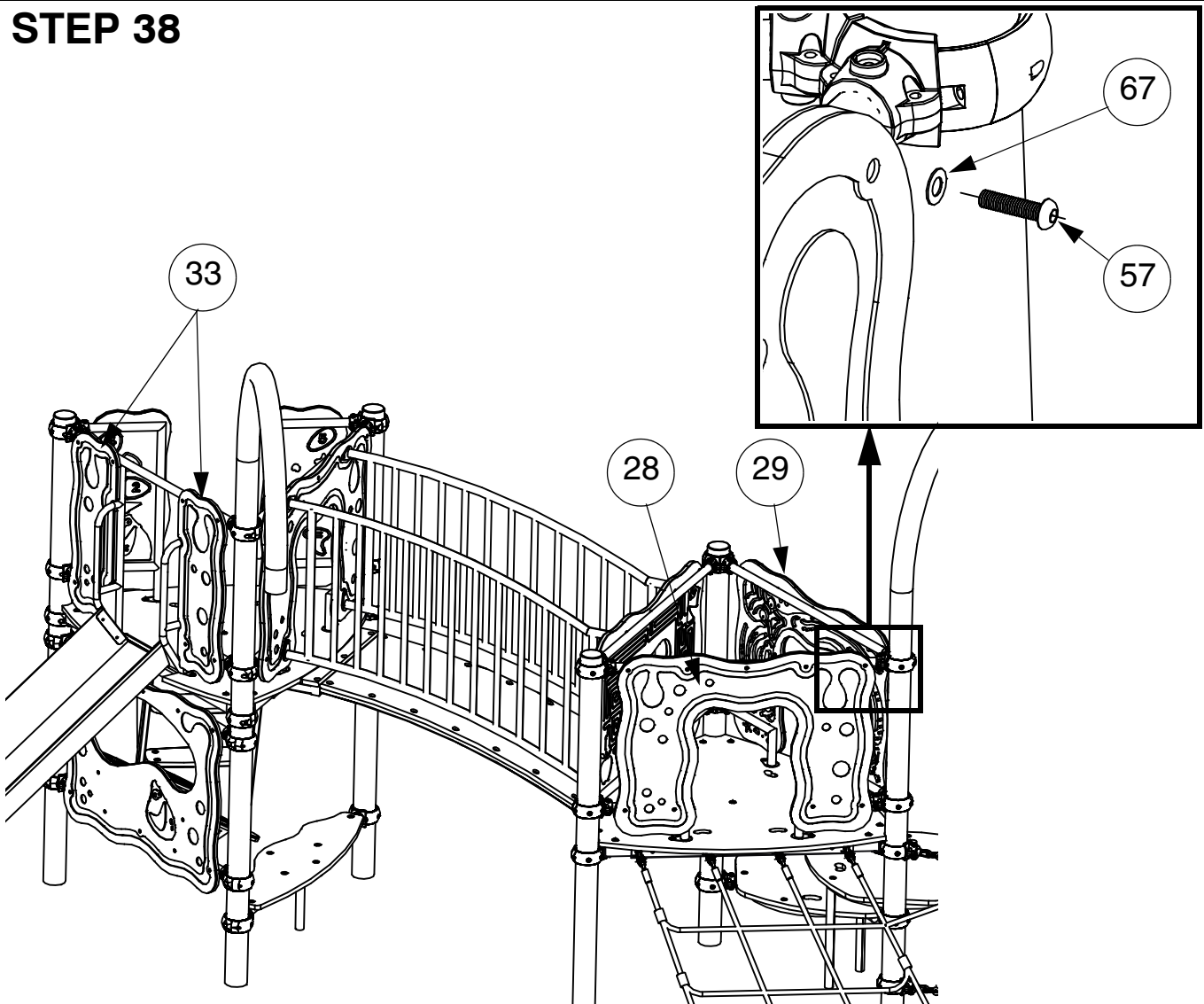
STEP 36



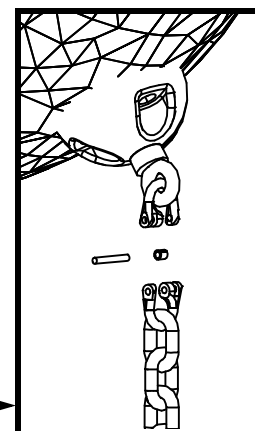
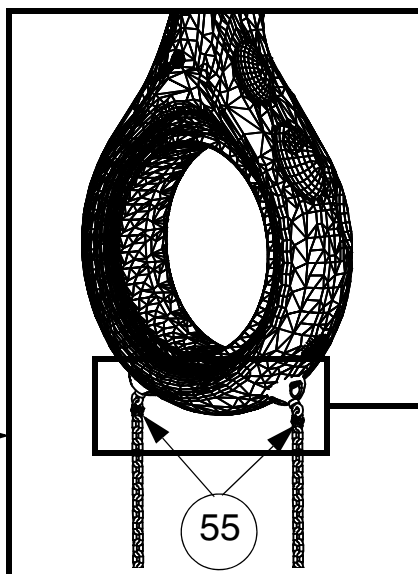
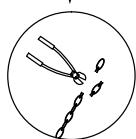
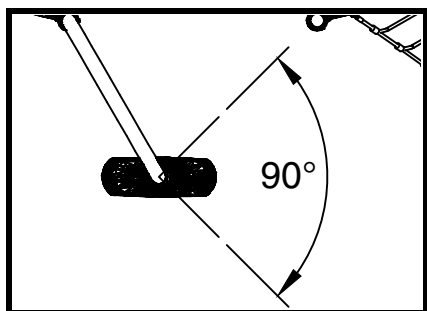
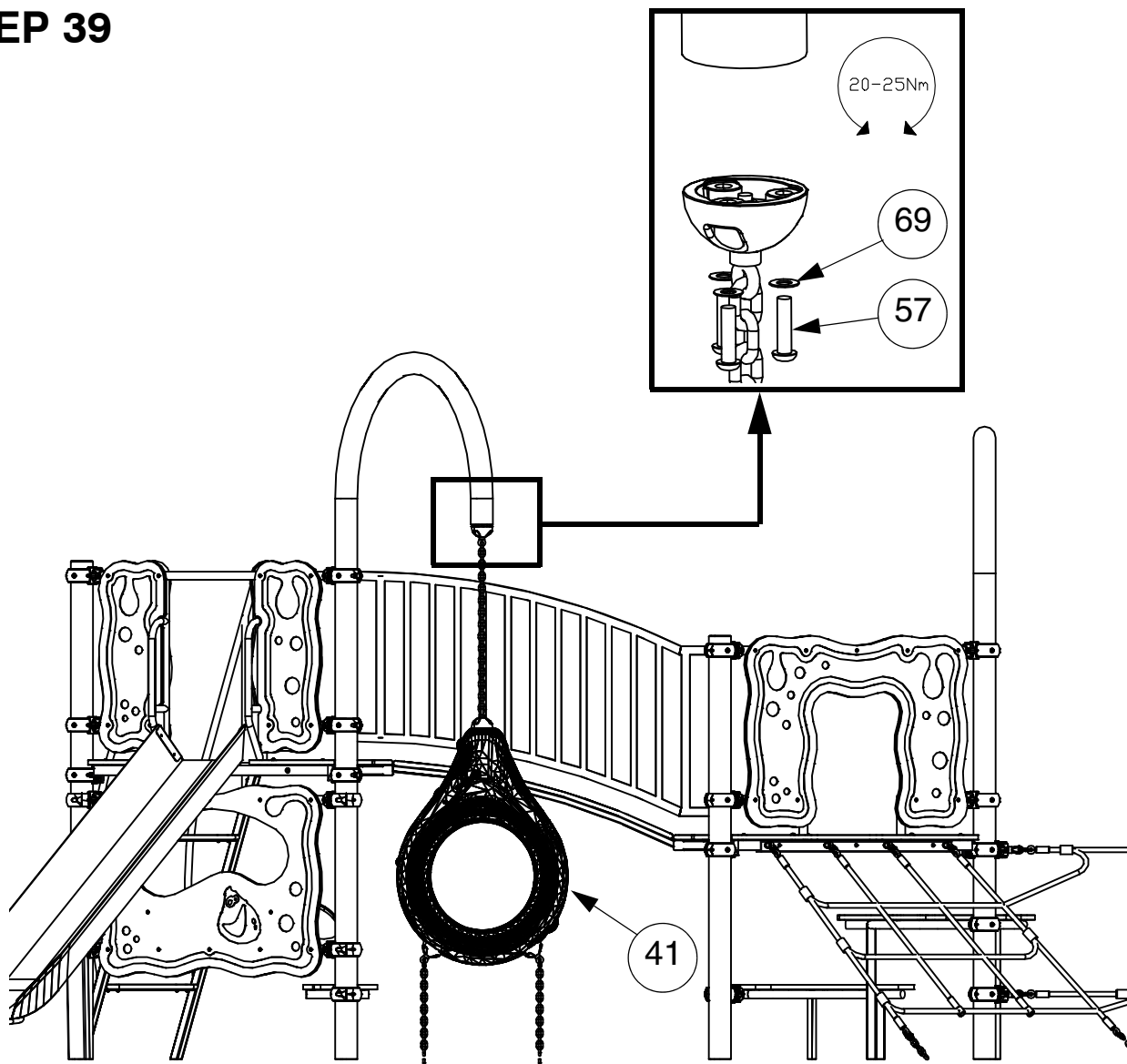
STEP 37



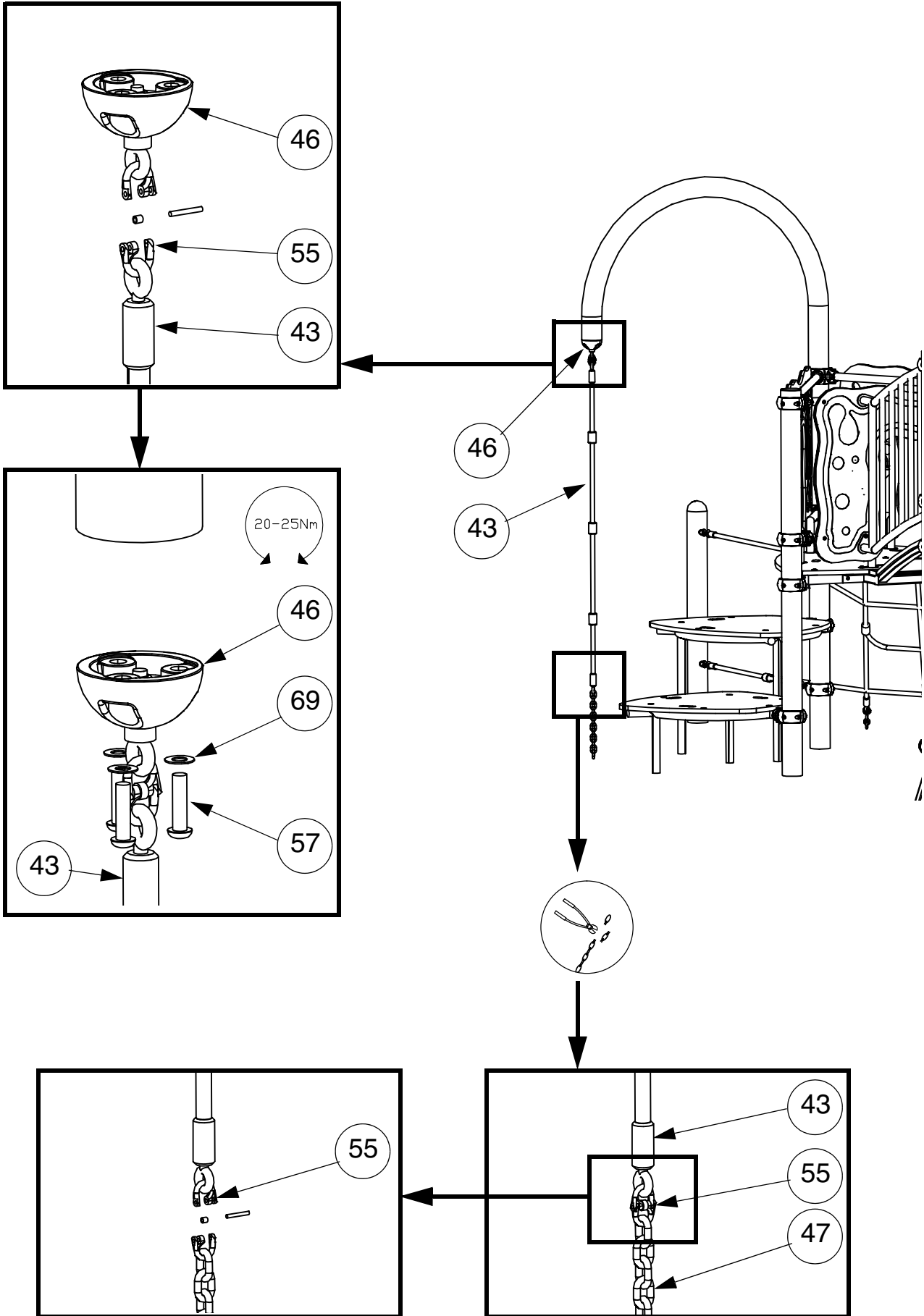
STEP 38



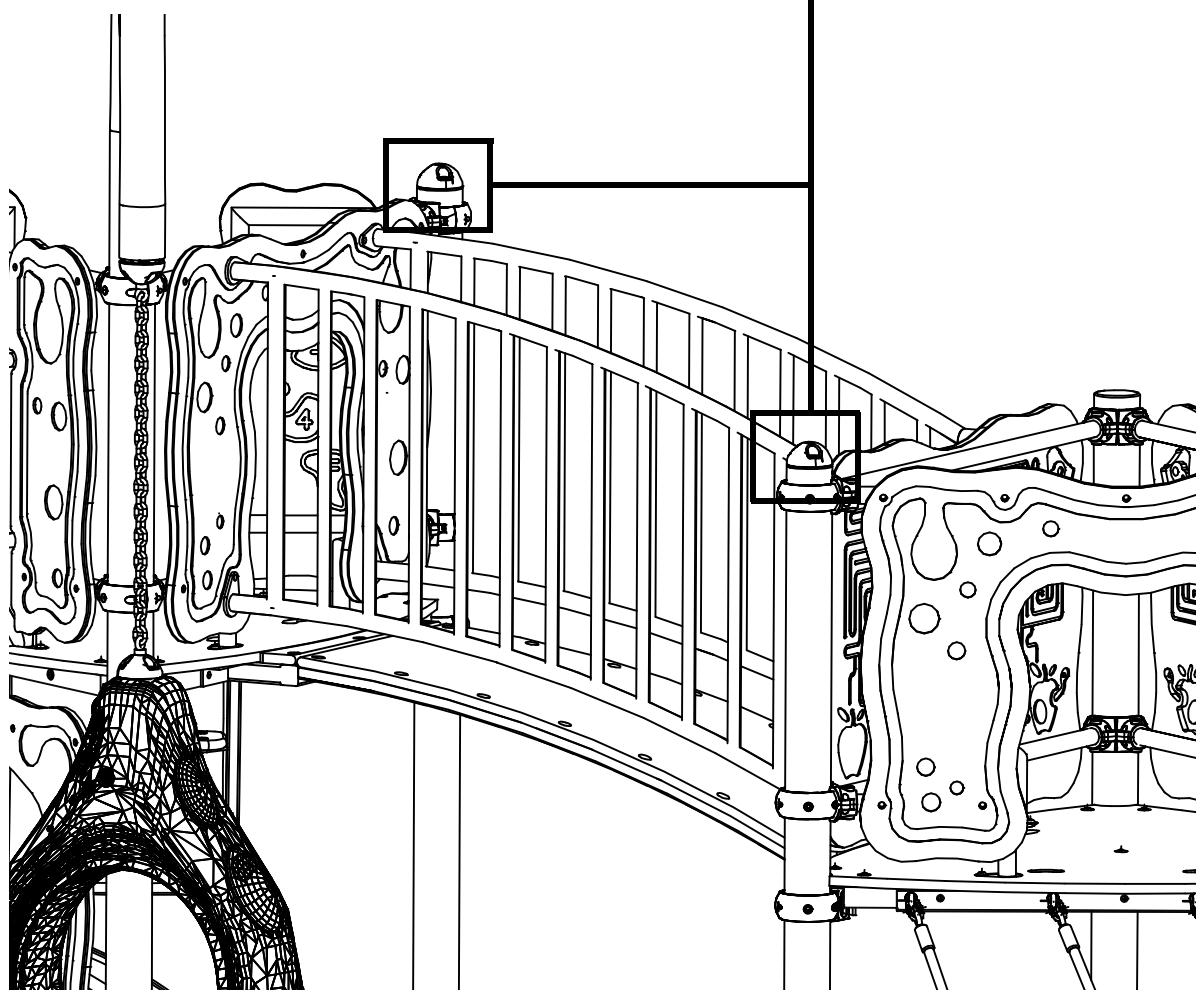
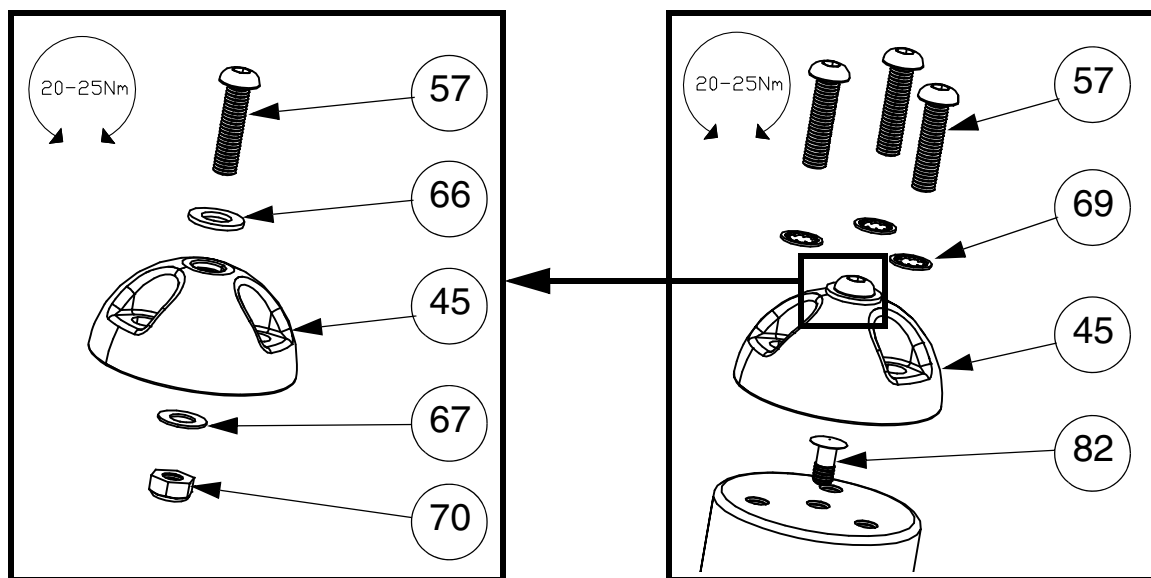
STEP 39



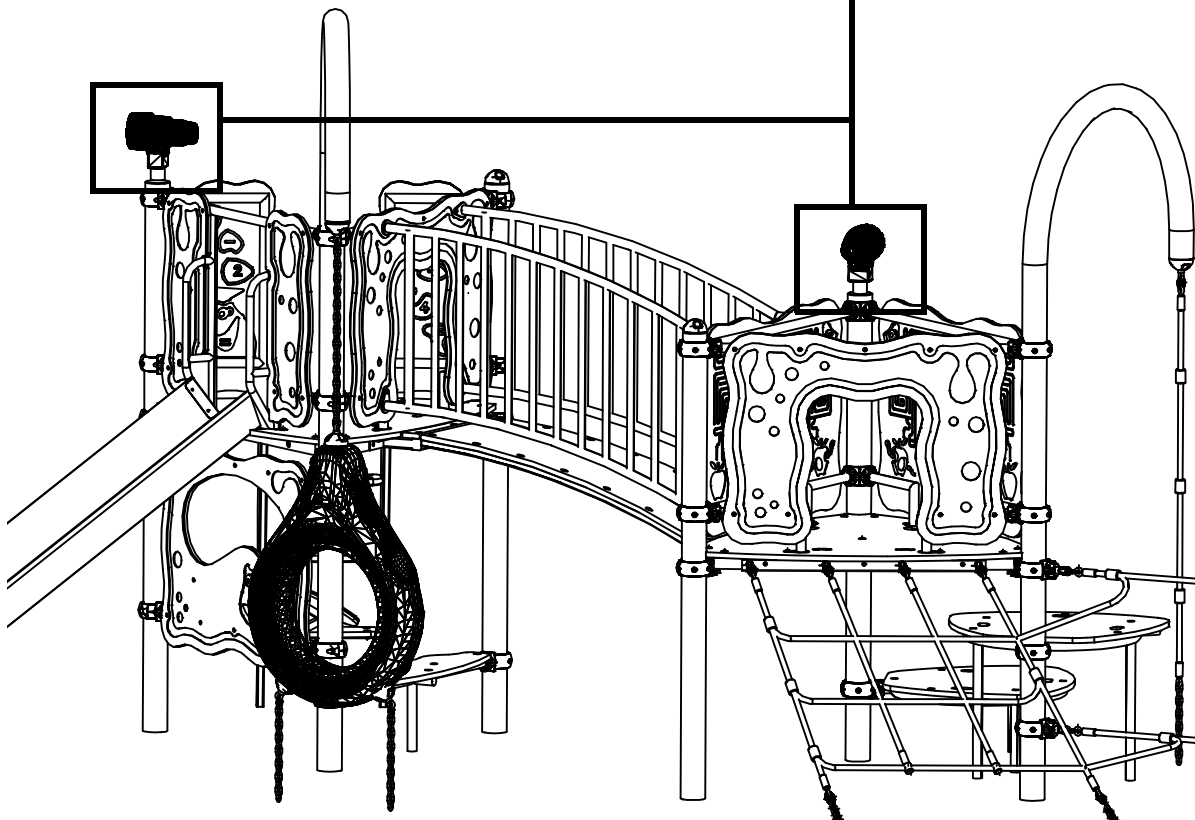
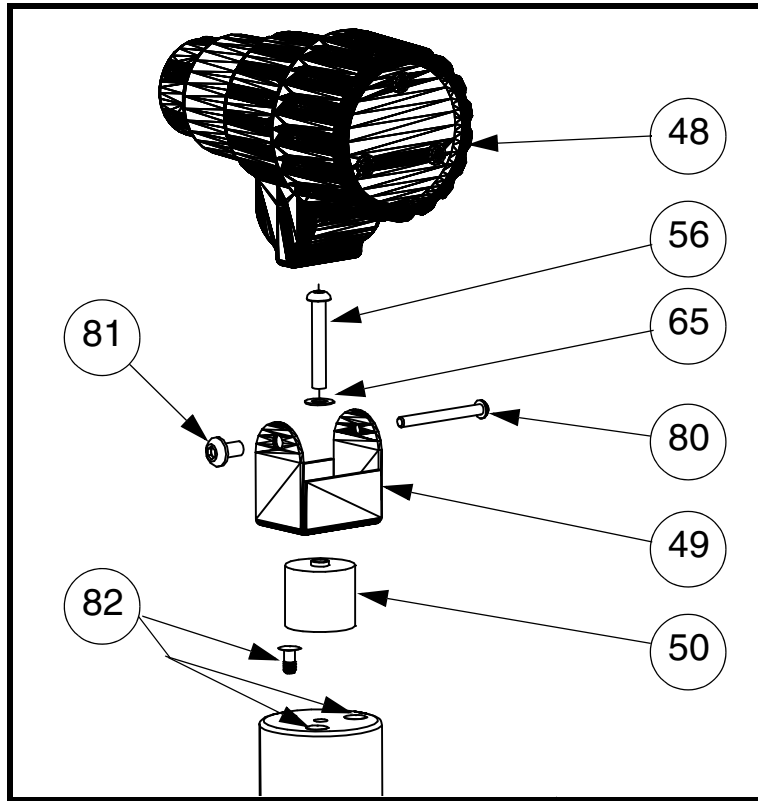
STEP 40



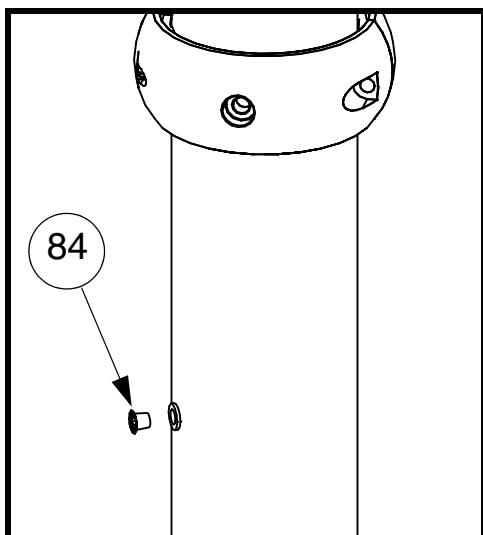
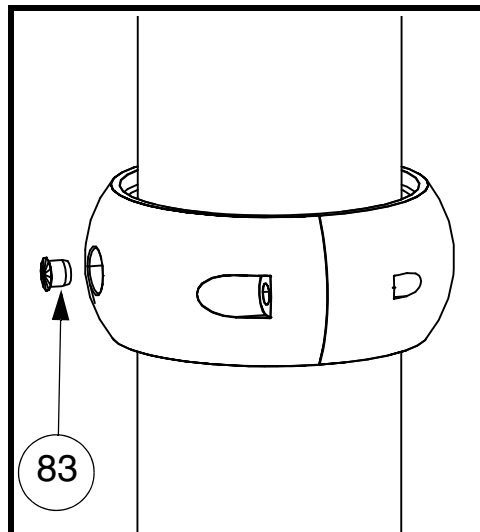
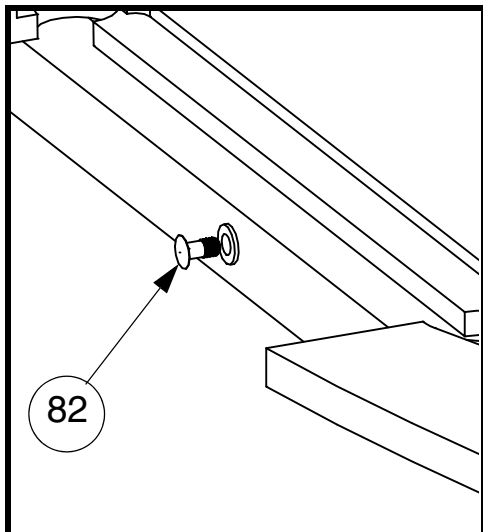
STEP 41

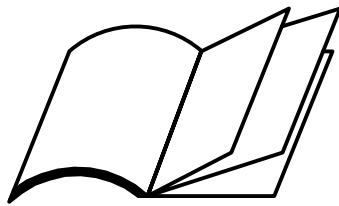


STEP 42



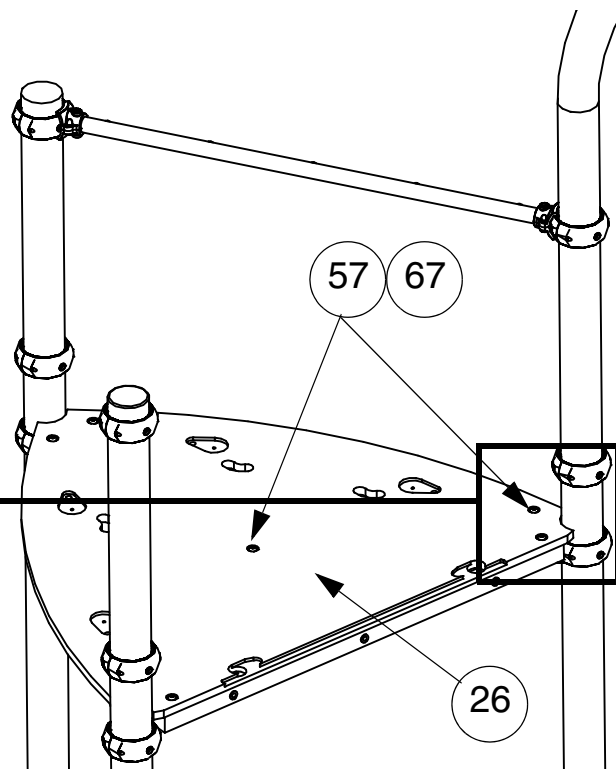
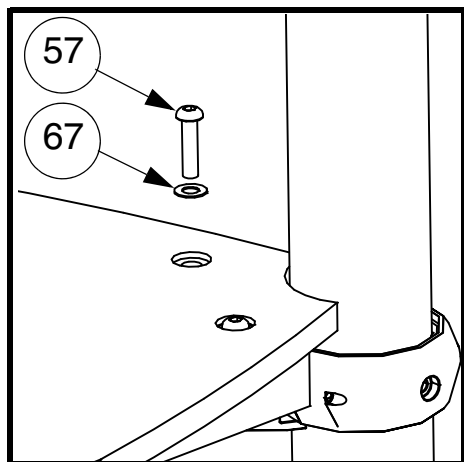
STEP 43



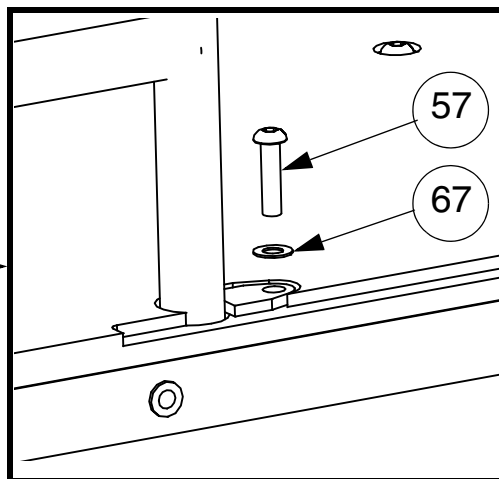
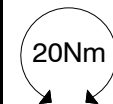
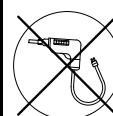
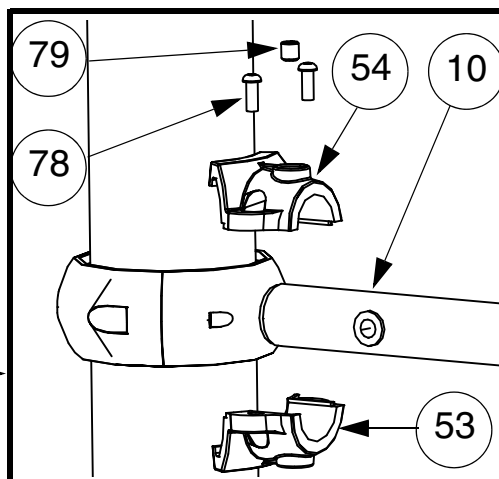
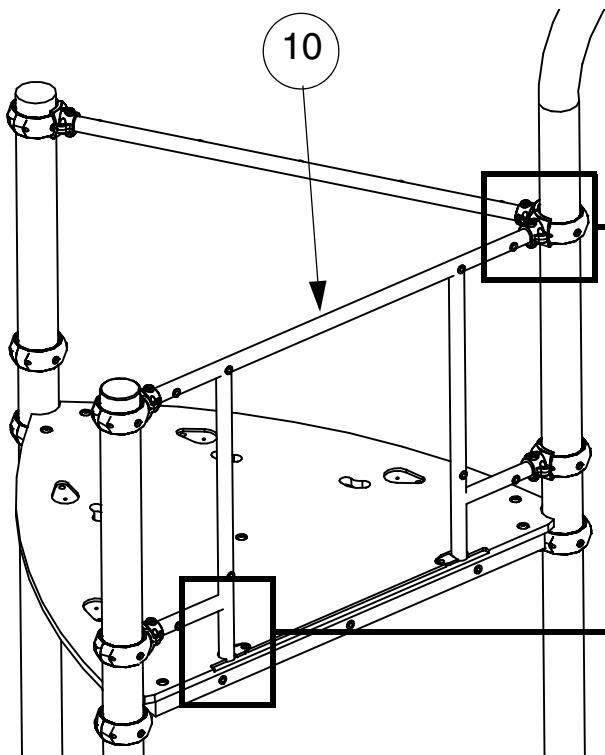


Appendix A: X-009/P

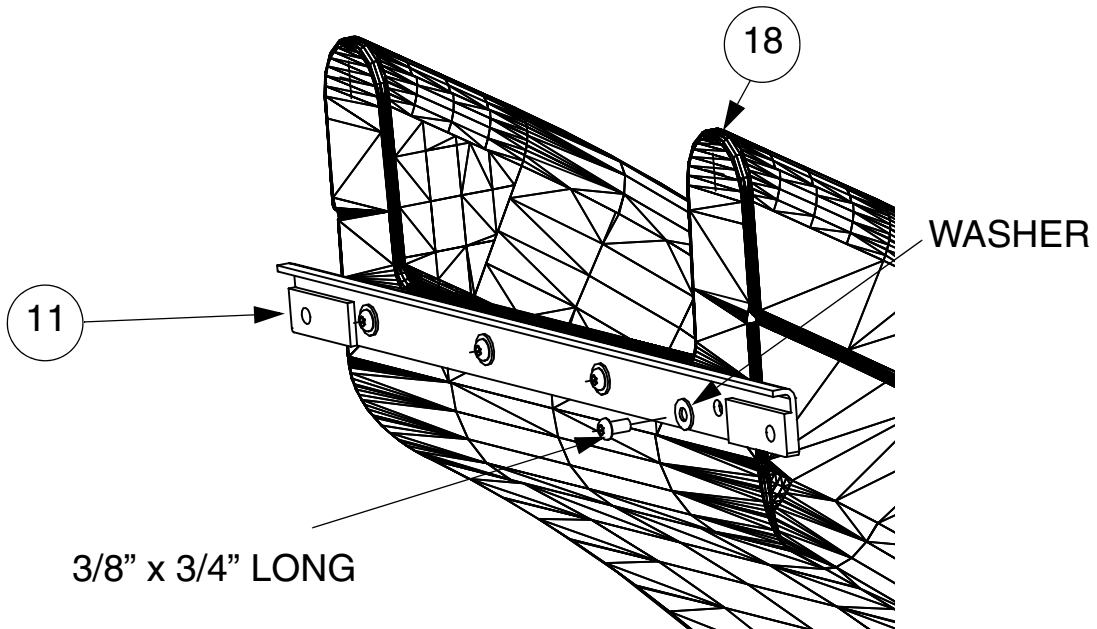
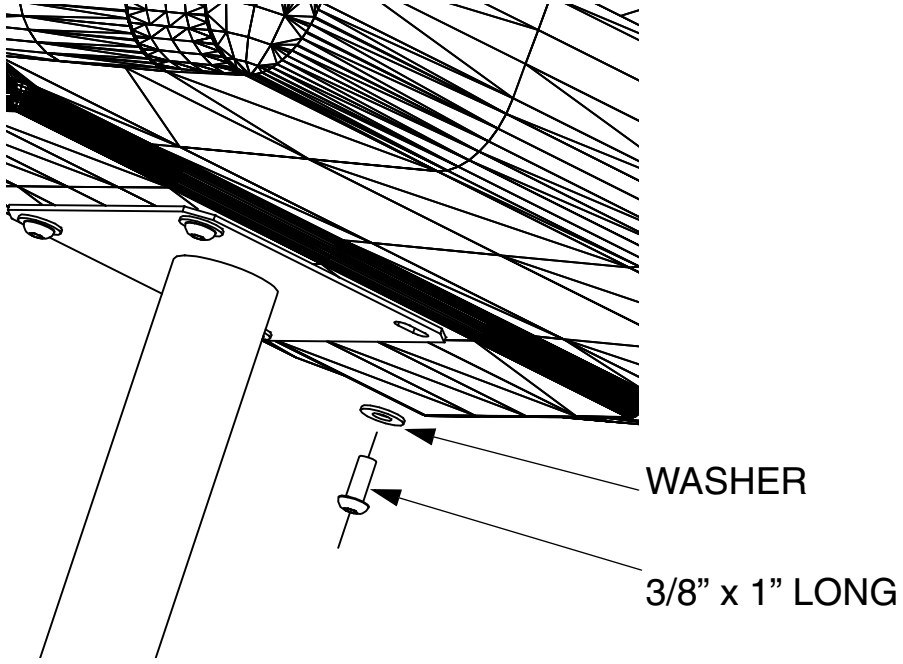
STEP 10



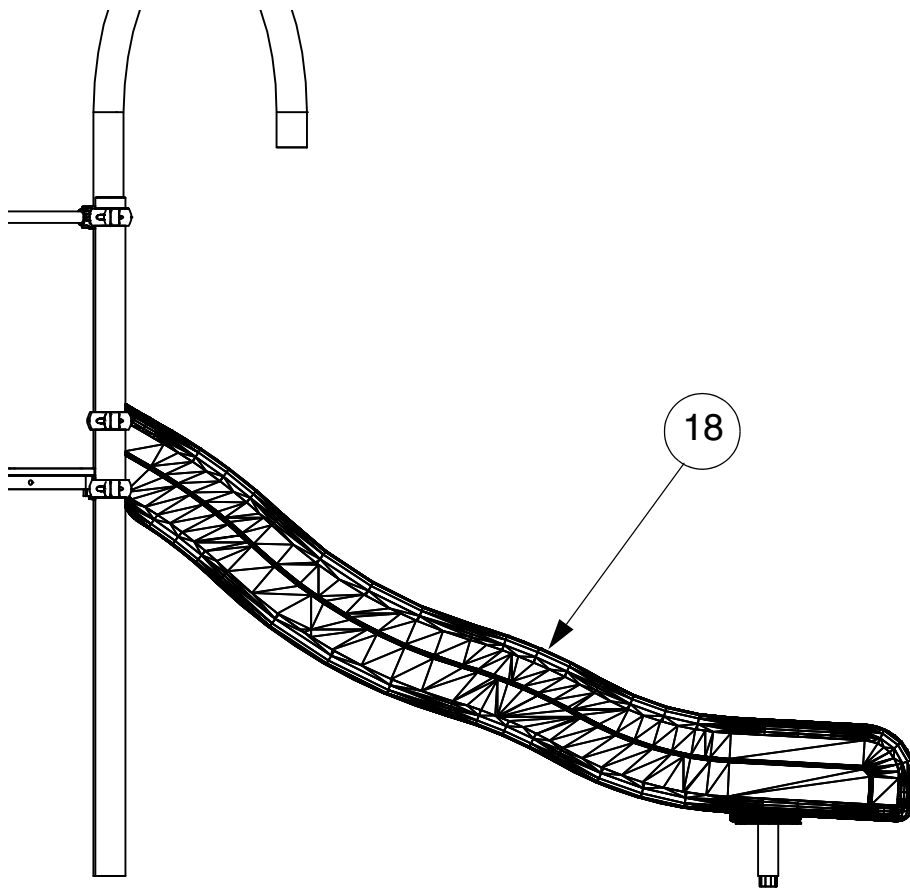
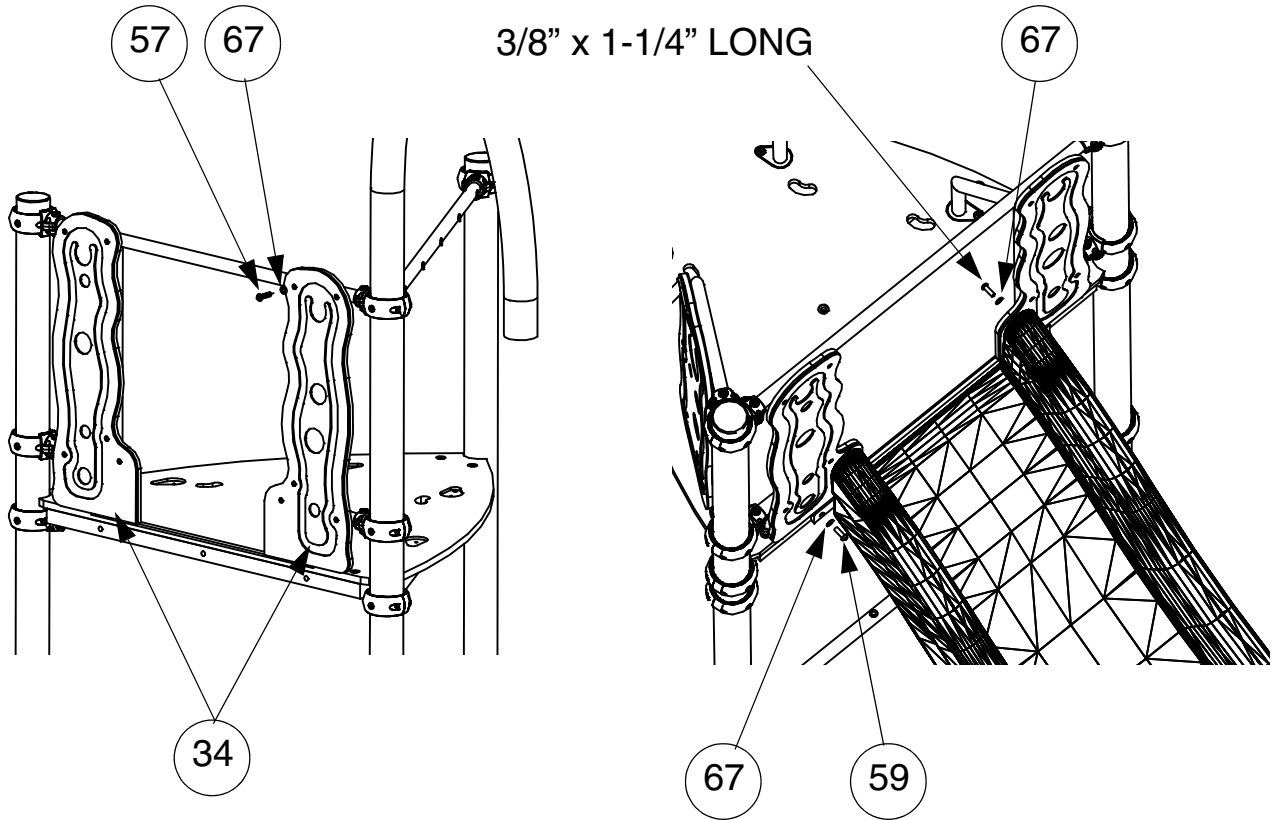
STEP 11

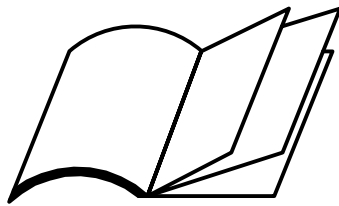


STEP 23A

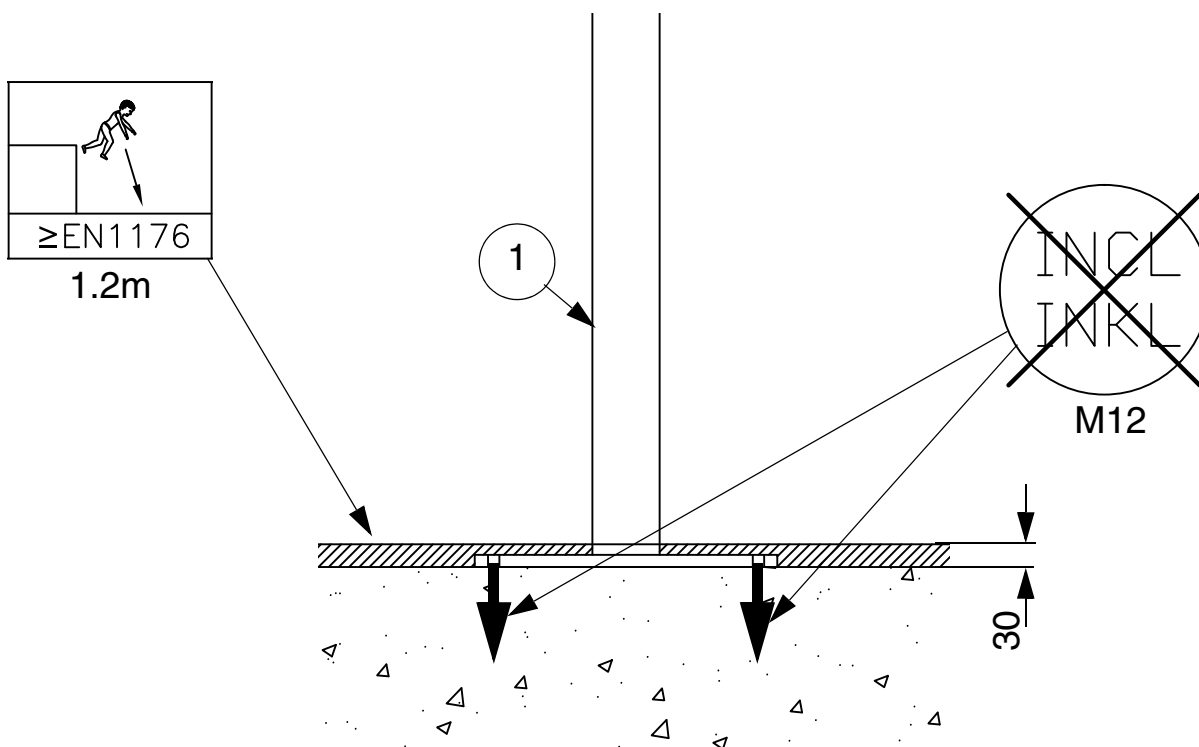


STEP 23B

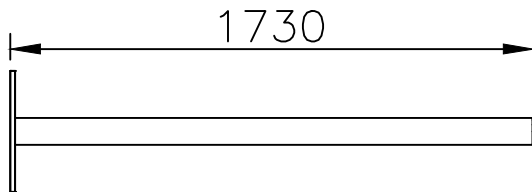
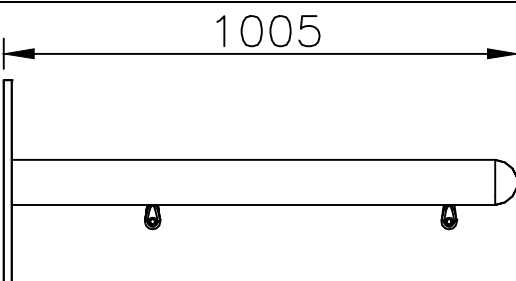
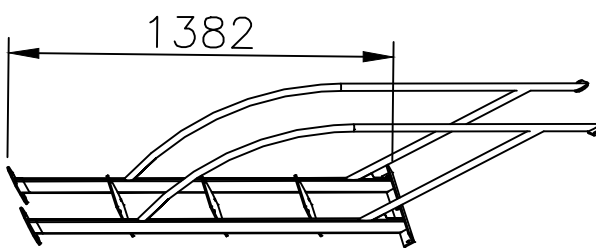
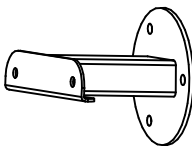

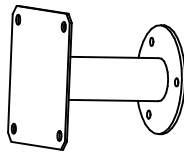
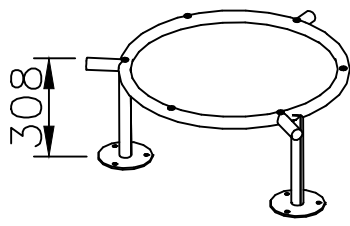


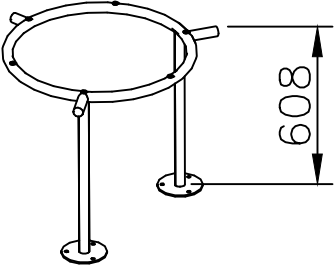
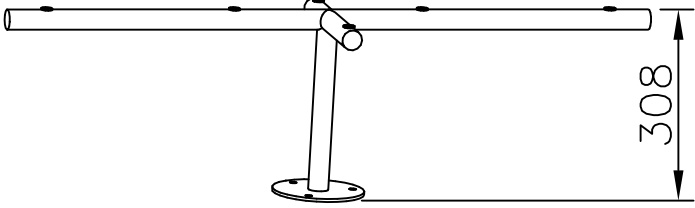

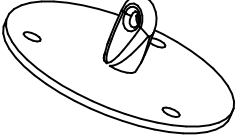
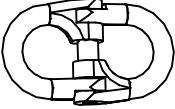


Appendix B: X-009/SD / X-009/PD



ITEM	REF.		X-009/SD	X-009/PD	kg
1	54003740			1	42.00
2	54003440			1	38.00
3	54012900			2	22.00

ITEM	REF.		X-009/SD	X-009/PD	kg
4	54012600			2	19.00
5	54011725			1	12.00
8	54043001			1	28.00
16	55081202		1		1.50
17	55081203		1		3.00
18A	55081201			1	3.00
21	54040911			1	8.50

ITEM	REF.		X-009/SD	X-009/PD	kg
22	54041190		1		10.50
23	54020911		1		5.50
47A	38008026		5		1.50
47B	55050011		5		1.00
47C	15715000		19		0.10

